

Calumet 13° wall 2x6° 3000K



IP65 

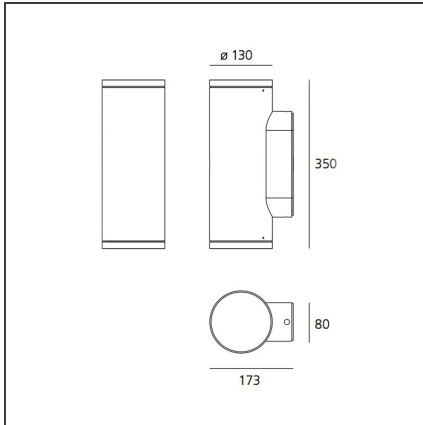
DESIGN BY

Ernesto Gismondi

DESCRIPTION

Lighting system with single or double emission, with high-performance LED light sources combined with lenses which optimize the light emitting efficiency of the beams and determine their spread. Available in two sizes: $\varnothing 8$ e $\varnothing 13$ cm. Ceiling and wall installation. Available in two finishes: light grey and painted anthracite grey painted.

TECHNICAL DRAWINGS



FEATURES

Article Code:	T41952NW10	Material:	Aluminum, tempered glass, methacrylate
Colour:	anthracite grey	Series:	Outdoor
Installation:	Wall		

DIMENSIONS

Length:	cm 17.3	Impact Resistance:	09
Width:	cm 8		
Height:	cm 35		

INCLUDED SOURCES

Category:	LED	Color temperature (K):	3000K
Number:	4	CRI:	80 typ
Watt:	4W		
Delivered lumens output (lm):	184lm		
Type:	0		
Class:	A		

LUMINAIRE

Watt:	15W	Delivered lumens output (lm):	732lm
Voltage:	220V-240V	CCT:	3000K
		Efficiency:	100%
		Efficacy:	45.75lm/W
		CRI:	80