

Calenda



IP65  Dimmerable: 

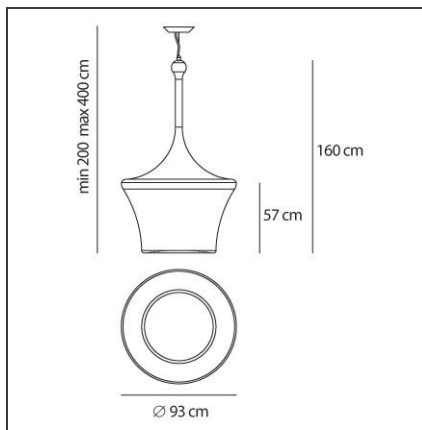
DESIGN BY

Italo Rota, Alessandro Pedretti

DESCRIPTION

Suspension lamp. Rotatorially moulded polyethylene.

TECHNICAL DRAWINGS



FEATURES

Article Code:	- - -	Material:	Technopolymer
Colour:	White	Series:	Scenarios
Installation:	Suspension	Emission:	Diffused
Environment:	Indoor		

DIMENSIONS

Height:	cm 160	Impact Resistance:	IK10
Max Height from ceiling:	cm 400	Glow Wire Test:	650

INCLUDED SOURCES

Category:	FLUO	Color Rendering:	85
Number:	4	Color temperature (K):	3000K
Watt:	55W		
Lbs:	TC-LEL(G11)		
Socket:	2G11		
Duration (h):	12000h		

INCLUDED SOURCES

Category:	LED	Color Rendering:	N/s
Number:	1	Color temperature (K):	BLUE
Watt:	3,5W	Voltage:	220v-240v
Type:	0		

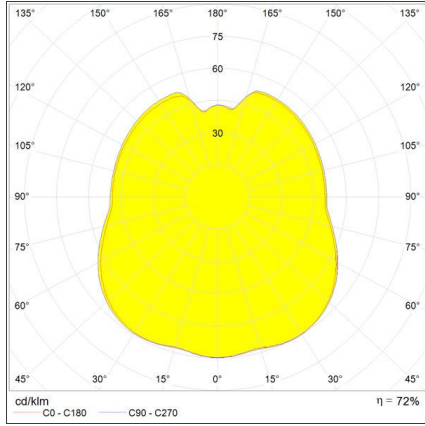
LUMINAIRE

Power Supply:	Electronic Integrated	Delivered lumens output (lm):	19200lm
Watt:	220W + 3,5W	CCT:	3000K
Voltage:	220V-240V		

Notes

Dimmable.

LIGHT DISTRIBUTION



We reserve the right to change our product specifications.
Please visit www.artemide.com for the latest product information

March 2019