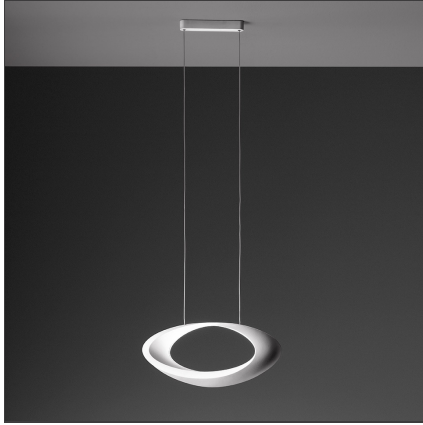
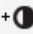


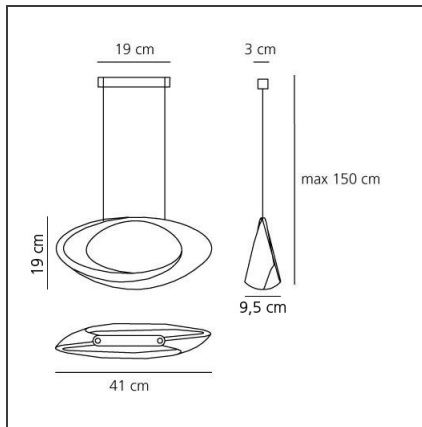
# Cabildo Suspension LED 2700K White



IP20      

Dimmerable: +  -

## TECHNICAL DRAWINGS



## DESIGN BY

Eric Solè

## DESCRIPTION

Body lamp in painted die-cast aluminium. The indirect light shapes the body lamp, bringing out its winding form and giving it the astonishing appearance of a ring of light. The suspension cables are also feed cables.

## FEATURES

<b>Article Code:</b>	1182W10A	<b>Material:</b>	Aluminium
<b>Colour:</b>	White	<b>Series:</b>	Design
<b>Installation:</b>	Floor, Wall, Suspension	<b>Area contract:</b>	Residential
<b>Environment:</b>	Indoor	<b>Emission:</b>	Indirect Diffused

## DIMENSIONS

<b>Width:</b>	cm 41	<b>Glow Wire Test:</b>	750
<b>Base Length:</b>	cm 19		
<b>Base Width:</b>	cm 9.5		
<b>Max Height from ceiling:</b>	cm 150		

## INCLUDED SOURCES

<b>Category:</b>	LED	<b>Color temperature (K):</b>	2700K
<b>Number:</b>	1	<b>Color Tolerance:</b>	MacAdam 2SDCM
<b>Watt:</b>	44W	<b>CRI:</b>	90
<b>Delivered lumens output (lm):</b>	3955lm		
<b>Type:</b>	0		
<b>Class:</b>	A		

## LUMINAIRE

<b>Watt:</b>	44W	<b>Delivered lumens output (lm):</b>	2641lm
<b>Voltage:</b>	220-240V	<b>CCT:</b>	2700K
		<b>Efficiency:</b>	73%
		<b>Efficacy:</b>	60.01lm/W
		<b>CRI:</b>	95
		<b>Dimmable Typology:</b>	Push

## Notes

Lamp included.