

Aria Micro - 2,5W 3000K - IP40 - White

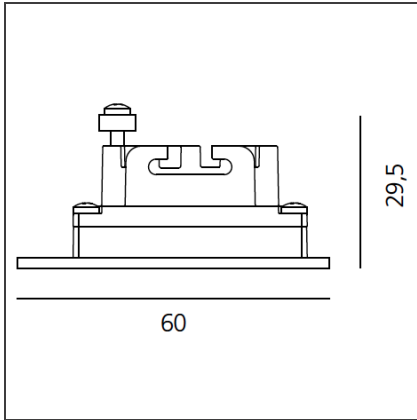


IP40 

DESCRIPTION

Light fixture with high-performance LED light sources. Wall or ceiling installation. Composed by: frame, body, asymmetrical reflector, fixing springs or housing. Body in injection mould of aluminium. Frame in aluminium. Body and frame are painted with outdoor treatment three stages: nanotechnologies, antioxidant primer, polyester paint. Metalized polycarbonate reflector. Silicone gasket. Protection screen in tempered glass, 3mm-thick. Housing in bend metal. Electrical connection to the ballast by means of a cable with appropriate terminal board supplied with the fixture. White monochromatic LEDs available in 2 colour temperatures: Warm = 3000K Neutral = 4000K IP Rating IP65 or IP40. Insulation class III. Technical features of light fixtures in compliance with EN60598-1. Installation must be carried out by specialized personnel. Carefully follow the instructions.

TECHNICAL DRAWINGS



FEATURES

Article Code:	NL31018VTK006	Material:	Aluminum, polycarbonate, tempered glass
Colour:	White	Series:	Outdoor
Installation:	Wall, Ceiling		
Environment:	Outdoor		

DIMENSIONS

Length:	cm 6	Cutout shape:	Squared
Height:	cm 6		
Weight:	kg 0.6		
Recessed depth:	cm 3		

INCLUDED SOURCES

Category:	LED	Color temperature (K):	3000K
Number:	1	Color Tolerance:	MacAdam 4SDCM
Watt:	2,5W	CRI:	=80(min.)
Delivered lumens output (lm):	165lm	Efficacy:	72lm/W
Type:	0	Service Life:	L70(10K)>60500h
Class:	A		

LUMINAIRE

Watt:	2,5W	Delivered lumens output (lm):	57lm
		CCT:	3000K
		Efficiency:	100%
		Efficacy:	21.11lm/W
		CRI:	80

ACCESSORIES

NO
IMAGE
AVAILABLE

Alimentatore 5,6W
350mA IP67
DV3001

NO
IMAGE
AVAILABLE

Alimentatore
11,2W 700mA
IP67
DV3003

NO
IMAGE
AVAILABLE

Alimentatore 35W
350mA IP67
DV3004

NO
IMAGE
AVAILABLE

Cassaforma Aria
Micro
NL31020H0