

## Aggregato Saliscendi Ø400 sfera



IP20 Dimmerable:

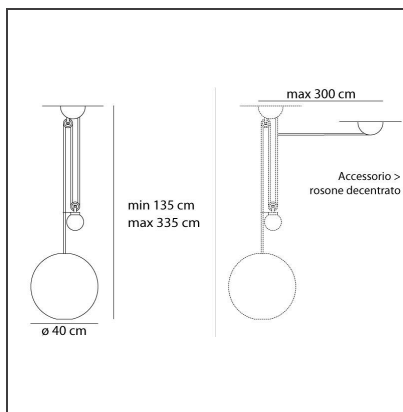
### DESIGN BY

Enzo Mari, Giancarlo Fassina

### DESCRIPTION

Ceiling rose in thermoplastic resin and metal, painted; counterweight in thermoplastic transparent resin; sphere-shaped diffuser in methacrylate. Code structure: A033100 Code sphere-shaped diffuser: A089412

### TECHNICAL DRAWINGS



### FEATURES

<b>Article Code:</b>	A089412 A033100	<b>Material:</b>	Technopolymer, methacrylate
<b>Colour:</b>	White	<b>Series:</b>	Design
<b>Installation:</b>	Suspension	<b>Area contract:</b>	Residential
<b>Environment:</b>	Indoor	<b>Emission:</b>	Diffused

### DIMENSIONS

<b>Height:</b>	cm 135	<b>Glow Wire Test:</b>	650
<b>Max Extension Height:</b>	cm 335		

### NOT INCLUDED SOURCES

<b>Category:</b>	HALO	<b>Color Rendering:</b>	1a
<b>Number:</b>	1	<b>Color temperature (K):</b>	2900K
<b>Watt:</b>	77W		
<b>Lbs:</b>	A60		
<b>Socket:</b>	E27		
<b>Duration (h):</b>	1000h		

### ALTERNATIVE SOURCES

<b>Category:</b>	LED
<b>Number:</b>	1
<b>Watt:</b>	15W
<b>Type:</b>	2
<b>Socket:</b>	E27
<b>Class:</b>	A

### LUMINAIRE

<b>Watt:</b>	77W
<b>Voltage:</b>	220V-240V

### Notes

Lamp with interchangeable diffusers.

**ACCESSORIES**

---



AGGREGATO SOSP  
ROSONE DECENT  
A086000