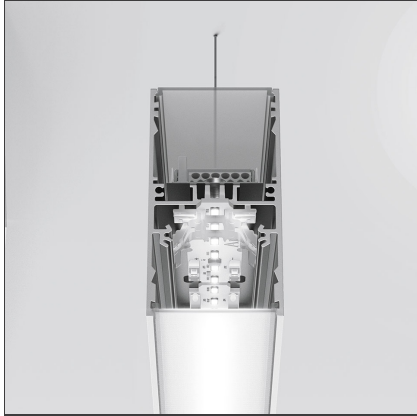


A.39 Suspension/Ceiling - Structural Module 2960mm - Direct Emission - 4000K - DALI - Black



IP20  Dimmerable: 

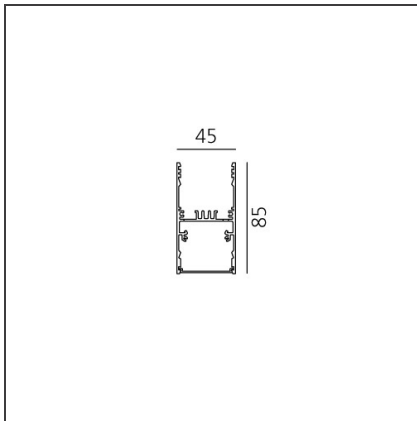
DESIGN BY

Carlotta de Bevilacqua

DESCRIPTION

Optimized version in line applications with wide lengths. Diffusing direct and direct + indirect emission. Recessed trim, trimless, suspension and ceiling versions. Dimmable and non dimmable in two CCT 3000K and 4000K versions.

TECHNICAL DRAWINGS



FEATURES

Article Code:	AT18204	Series:	Indoor
Colour:	Black		
Installation:	Ceiling		
Environment:	Indoor		

DIMENSIONS

Length:	cm 296
Width:	cm 4.5
Height:	cm 8.5

INCLUDED SOURCES

Category:	LED	Color temperature (K):	4000K
Number:	1		
Watt:	82W		
Type:	0		
Class:	A		

LUMINAIRE

Watt:	82W	Delivered lumens output (lm):	4944lm
		CCT:	4000K
		CRI:	80
		Dimmable Typology:	Dali

ACCESSORIES



A.39 - Mechanical joint including 1 suspension cable AT09500



A.39 - End Cap (Kit 2x) - Black AT09404



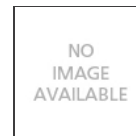
A.39 - Ceiling bracket and mechanical joint AT09501



A.39 - End Ceiling Bracket (2x) AT09502



A.39 - Opal Diffuser in Polycarbonate - L=10000mm AT10000



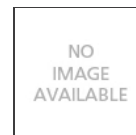
A.39 - Dimmable Feeding kit including 2 suspension cables (5 poles) 2000m (H) AT10500



A.39 - Opal Diffuser in Polycarbonate - L=25000mm AT10800



A.39 - Opal Diffuser in Polycarbonate - L=50000mm AT10900



A.39 - Opal Diffuser in Polycarbonate - L=2960mm AT10300