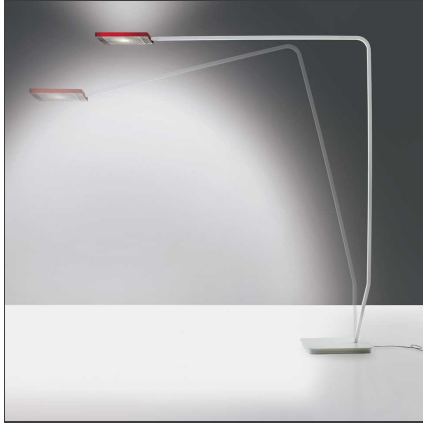


90° Office



IP20

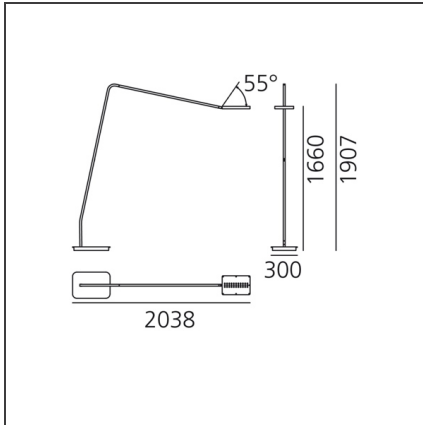
DESIGN BY

Ernesto Gismondi

DESCRIPTION

Floor lamp with a broad extension of the arm. Materials: painted steel base; lamp body in extruded painted aluminium; head in red painted die-cast aluminium. Specification: the lamp head can be rotated of 55° upwards and is equipped with two different lenses for the Home and Office version.

TECHNICAL DRAWINGS



FEATURES

Article Code:	1930010A	Series:	Scenarios
Colour:	Red		
Installation:	Floor		

DIMENSIONS

Length:	cm 203
Height:	cm 190
Base Width:	cm 30

INCLUDED SOURCES

Category:	LED	Color temperature (K):	3000K
Number:	1	CRI:	80
Watt:	17W	Efficacy:	100lm/W
Delivered lumens output (lm):	2211lm		
Type:	0		
Class:	A		

ALTERNATIVE SOURCES

Category:	LED	Color temperature (K):	3000K
Number:	1	Color Tolerance:	MacAdam 3SDCM
Watt:	122W	Service Life:	L70 (4K) 60500h
Type:	0		
Class:	A		

LUMINAIRE

Watt:	20W	Delivered lumens output (lm):	2097lm
		CCT:	3000K
		Efficiency:	88%
		Efficacy:	104.85lm/W
		CRI:	80