

PRODUCT DATA SHEET

Provoca palo



DESIGN BY :

Ernesto Gismondi
2011

MATERIALS :

Die-cast aluminium, metalized polycarbonate, tempered glass, steel

DESCRIPTION :

Head-pole fixture composed by lighting unit and pole connection. 50x50mm square pole installation with 40x120mm square shank (not supplied). Lighting unit in painted die-cast EN-AB 47100 aluminium. High-performance asymmetrical optics in metalized polycarbonate. Screens in shock resistant, high transparent tempered glass. Head-pole fitting in painted steel. AISI 316 stainless steel screws and silicone seal gaskets.

Pole not supplied.

Painting is obtained with 3-stage outdoor treatment: nanotechnologies, antioxidant primer, polyester paint.

Effective power 26,6W.

The LED circuits are directly anchored to the aluminium casing of the body in order to maximize heat dissipation. Moreover, some dissipation fins have been included in the product design so as to increase the heat exchange surface with external air. The grid in the central part of the product allows natural air circulation, which cools the dissipation surface. Due to a natural convective motion, cold air removes heat from the dissipation grid, it heats up and goes upwards, through the lighting unit, getting new fresh air from the lower part. In this way LEDs are maintained at a lower temperature and their life time and light efficiency increase.

Light emission



Direct

IP 65   

TECHNICAL DATA SHEET

Features

Product name:	Provoca palo
Article Code:	T085400 + T085500
Colour:	Light grey
Material:	Die-cast aluminium, metalized polycarbonate, tempered glass, steel
Series:	Outdoor
Environment:	Outdoor

OPTICS

Emission:	Direct
-----------	--------

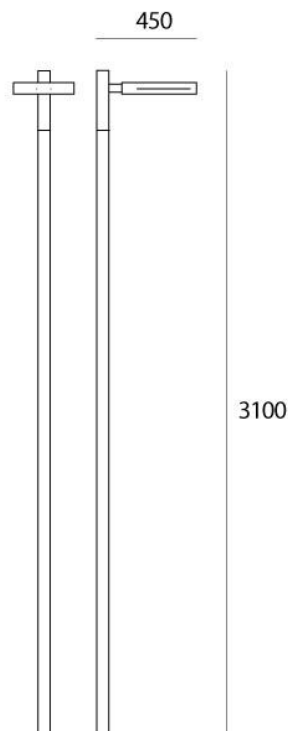
DIMENSIONS

Length:	(cm) 45
Width:	(cm) 23
Height:	(cm) 310
Cutout shape:	

LAMPS INCLUDED

Category:	LED
Watt:	23,4
Number:	1 x 10
Typology:	1
Color temperature (K):	4000
Class:	A

Dimensions



LAMP



IP 65   

ELECTRICAL

Voltage:

220-240V

Installation

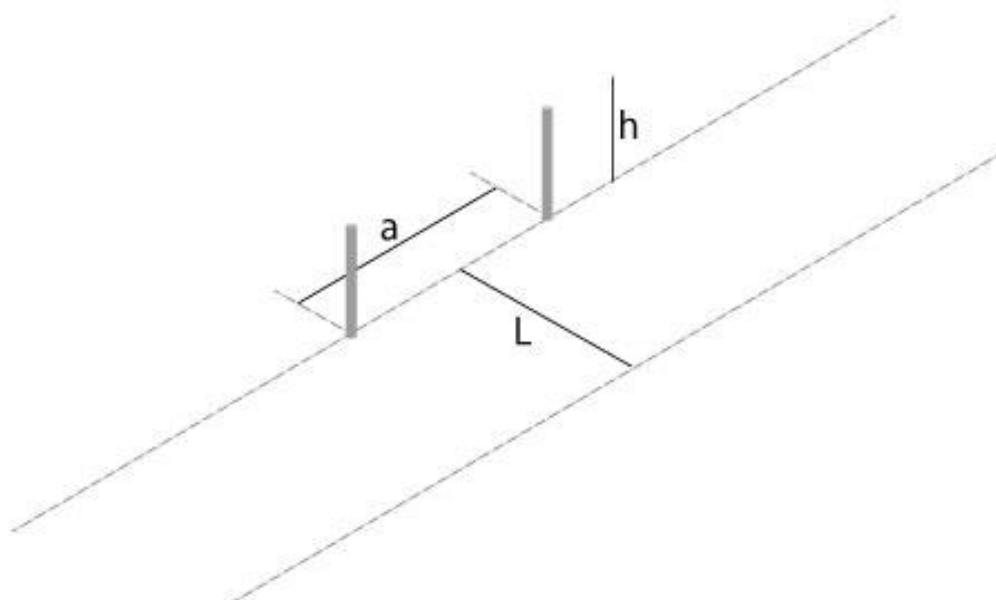


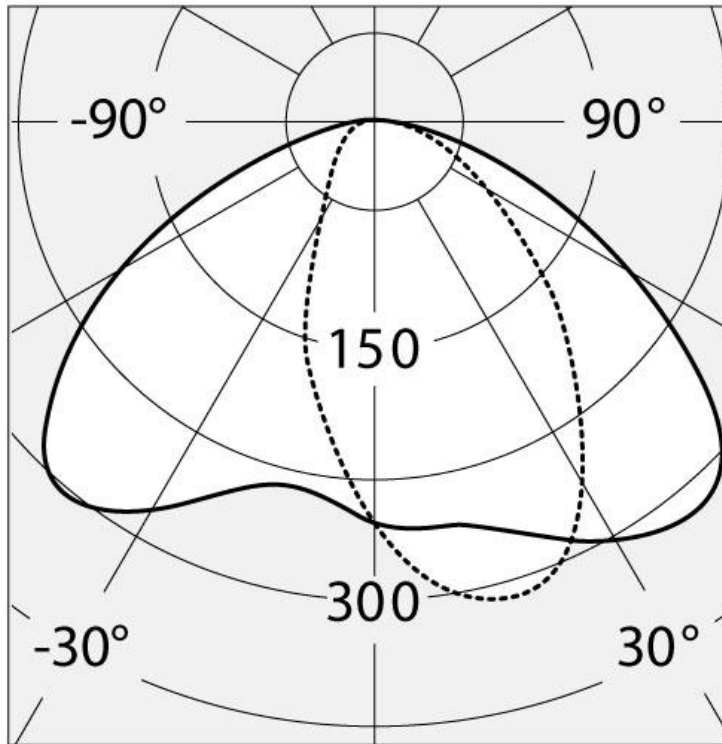
Provoca pole

LED 26,6W

Lighting application

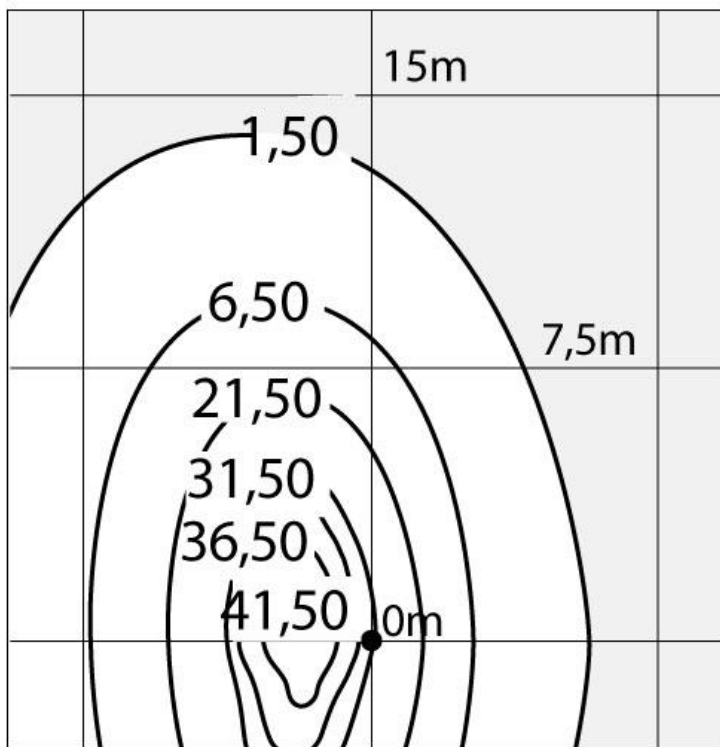
h	L	a	Em	E _{max}	E _{min}
3.1 m	4.0 m	12 m	15 lux	48 lux	1.5 lux



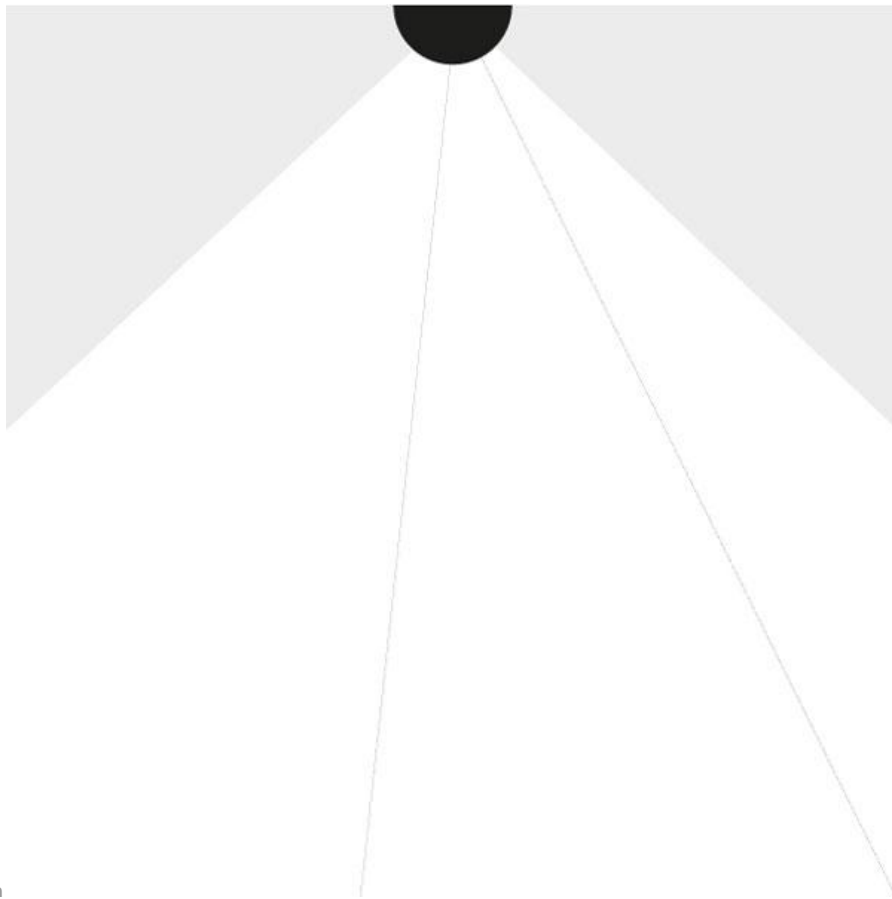


— C=0°-180° Cd/Klm
 ····· C=90°-270°

Polar curve



Lux



Light beam