

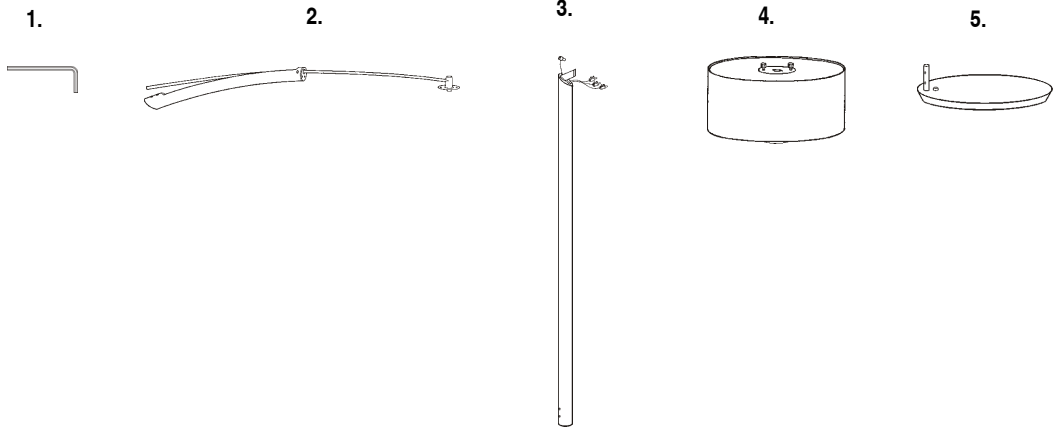
Balance

Design by Jordi Vilardell

VIBIA
LIGHT IS CREATION

ASSEMBLY INSTRUCTIONS

SUPPLIED MATERIAL



	5189	5190	5191	5192
1 Allen key	1 un.	1 un.	1 un.	1 un.
2 Arm	1 un.	1 un.	1 un.	1 un.
3 Column	1 un.	1 un.	1 un.	1 un.
4 Shade	1 un.	1 un.	1 un.	1 un.
5 Basement	1 un.	1 un.	1 un.	1 un.

TECHNICAL SPECIFICATIONS

5189. Net Weight	49,5 Kg	3 x A-19 Med. 120V 60W Max.	
5190. Net Weight	49,5 Kg	3 x A-19 Med. 120V 60W Max.	
5191. Net Weight	49,1 Kg	3 x A-19 Med. 120V 60W Max.	
5192. Net Weight	49,1 Kg	3 x A-19 Med. 120V 60W Max.	

- Class I. Product with an additional protection cable (grounds).
- Product protected against solid object as big as or bigger than 12 mm. No protection against water.
- Product that CAN be in contact with normally-flammable materials (wood or others).
- Product with an integrated dimmer

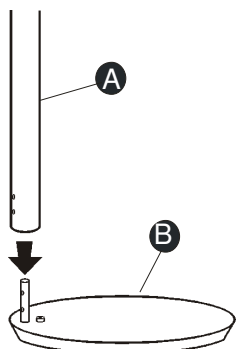
Caution

Before assembling and installing this product, carefully read the following:

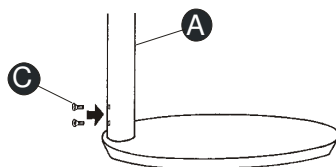
- Never use a bulb with a wattage exceeding the recommended one. Always use a bulb with the recommended wattage or lower.
- If the steel cable or the power cord of this lamp is damaged, it must be replaced only by the manufacturer or their technical service or by a person capacitated to this effect to avoid any risk.
- This lamp is for indoor use only, excluding bathrooms or any type of humid surface.
- At least two people are needed to install and desinstall the lamp.

ASSEMBLY INSTRUCTIONS

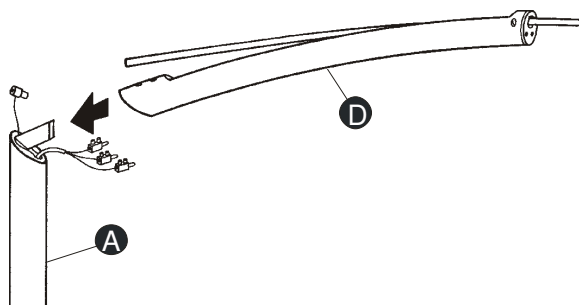
1



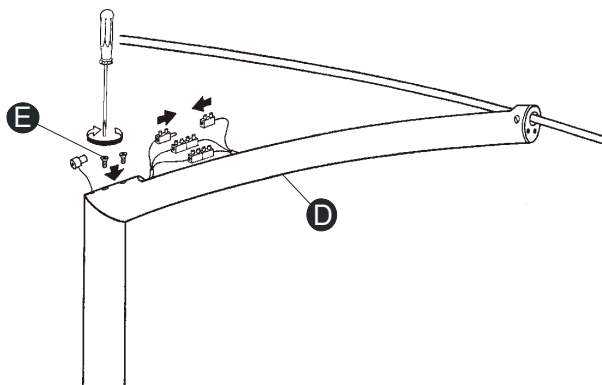
2



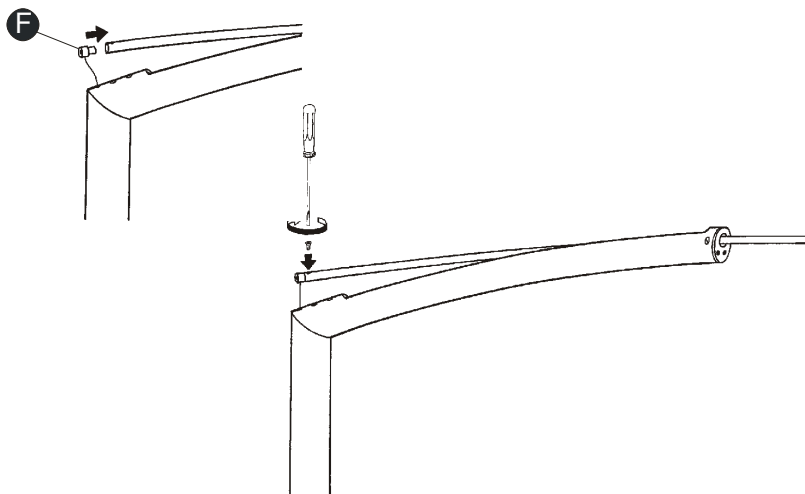
3



4



5

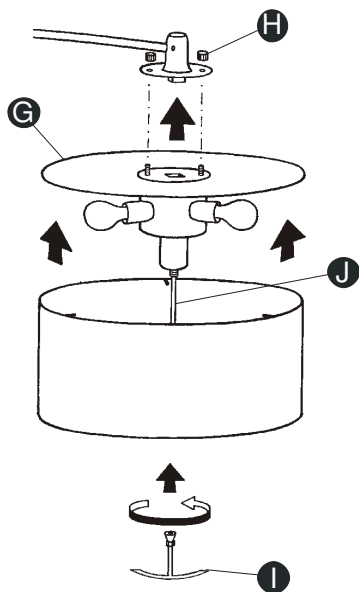


IMPORTANT NOTICE:

Caution: to avoid possible electrical shock, make certain electricity is shut off at main panel before wiring.

1. Introduce the column (A) into the axe in the basement (B) as shown in the drawing.
2. Fix the screw (C) to the column (A).
3. Introduce the arm (D) with the cables passing in the interior into the column (A) as shown in the drawing.
4. Fix the screws (E) to the arms (D) and connect the cables.
5. Introduce the end (F) of the cables into the balance tube and tight it with screw driver as shown in the drawing.

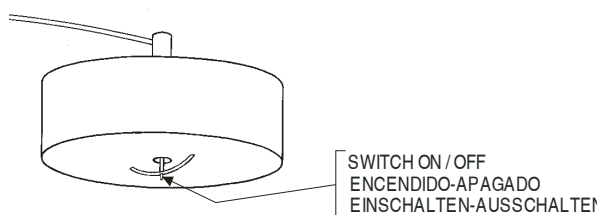
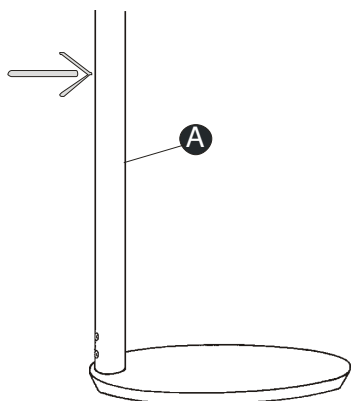
6



6. Connect the fixed lamp support (G) set into the arms socket and tighten with the nuts (H). Fix the lamps and the screen. Introduce the hilt (I) into the axle switch (J) and tighten it to a firm support.

7. Remove the screw (A) fixed in the counter-weight situated in the interior of the column using the supplied Allen key

7



SWITCH ON/OFF

Maintenance

- Use a slightly-wet cotton cloth for cleaning.
- In case of malfunction or damage, please contact the retailer who sold the lamp.