

# Volver, Breath of new *Light*

design Studio 14  
terzani.com

**TERZANI**  
LA LUCE PENSATA



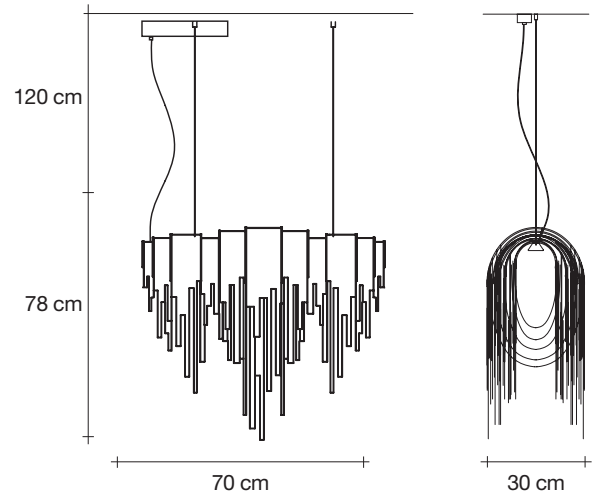
**Type |**  
Suspension

**Materials |**  
Brass chains and metal  
structure plated as below

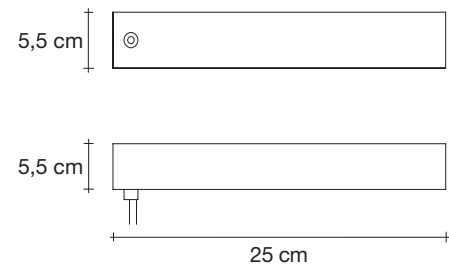
**Finishes | Code**

-  Nickel  
0L63S E7 C8
-  Black Nickel  
0L63S E9 C8
-  Bronze  
0L63S F7 C8
-  Gold  
0L63S L6 C8

**Body |**



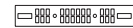
**Canopy |**



**Light Source |**

100-240V ~ 50/60Hz

LED light

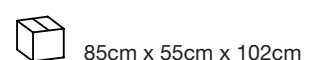


Input: 100-277 Vac. 50/60Hz  
Total output - 3000 lumen  
Color temperature - 3000 K  
Color accuracy - 90 CRI  
Power consumption - 27 Watt  
Power supply included in canopy



Dimmable with 1-10V  
Dali system on request

Designer Diego Bassetti and Architect Andrea Panzieri of Studio 14, protégés of Bruno Rainaldi, applied their multidisciplinary approach to create Terzani's first LED suspension light. This geometric design combines thin nickel chains with the latest in LED technology to create a light that is both elegant and modern. A breath of new light, Volver melds technology and art to achieve a new level of luxury.



# Volver, Breath of new *Light*

design Studio 14  
terzani.com

**TERZANI**  
LA LUCE PENSATA






## Type |

Suspension

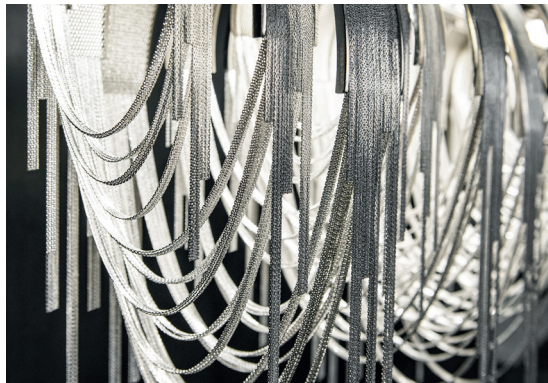
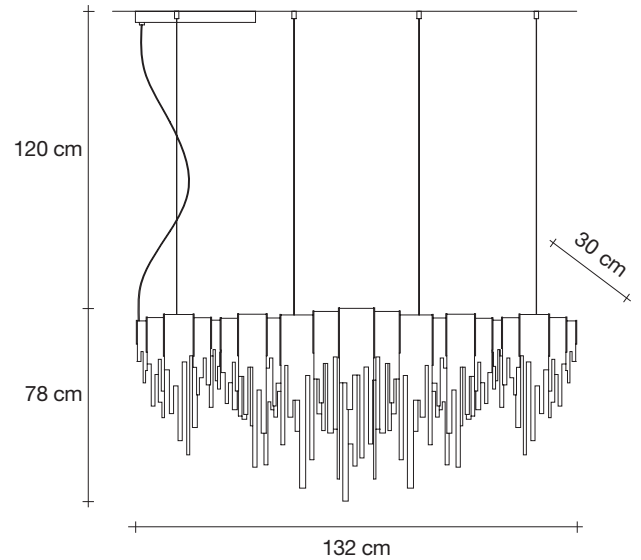
## Materials |

Brass chains and metal structure plated as below

## Finishes | Code

-  Nickel  
OL60S E7 C8
-  Black Nickel  
OL60S E9 C8
-  Bronze  
OL60S F7 C8
-  Gold  
OL60S L6 C8

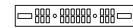
## Body |



## Light Source |

230-240V ~ 50/60Hz

## LED light

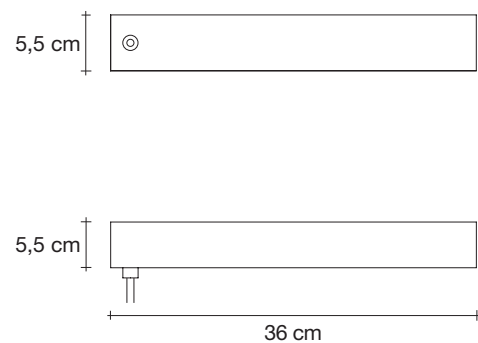


Input: 100-277 Vac. 50/60Hz  
Total output - 3000 lumen  
Color temperature - 3000 K  
Color accuracy - 90 CRI  
Power consumption - 27 Watt  
Power supply included in canopy



Dimmable with 1-10V  
Dali system on request

## Canopy |



Designer Diego Bassetti and Architect Andrea Panzieri of Studio 14, protégés of Bruno Rainaldi, applied their multidisciplinary approach to create Terzani's first LED suspension light. This geometric design combines thin nickel chains with the latest in LED technology to create a light that is both elegant and modern. A breath of new light, Volver melds technology and art to achieve a new level of luxury.



72



36,5



148cm x 55cm x 102cm

# Volver, Breath of new *Light*





design Studio 14  
terzani.com



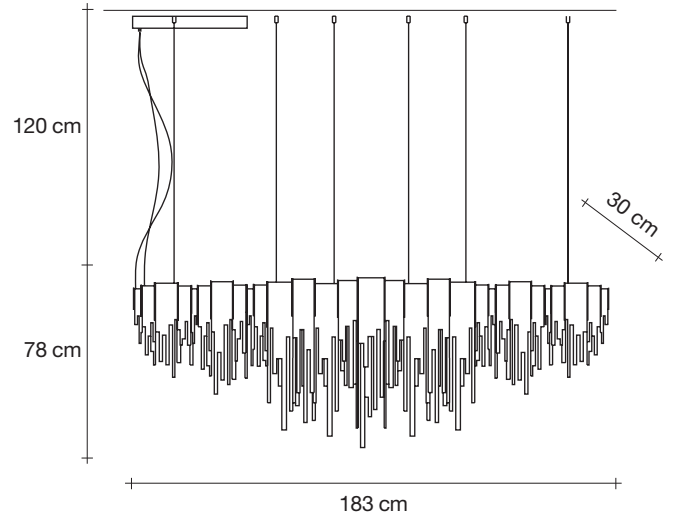
**Type |**  
Suspension

**Materials |**  
Brass chains and metal structure plated as below

**Finishes | Code**

-  Nickel  
0L62S E7 C8
-  Black Nickel  
0L62S E9 C8
-  Bronze  
0L62S F7 C8
-  Gold  
0L62S L6 C8

**Body |**



**Light Source |**

230-240V ~ 50/60Hz

LED light

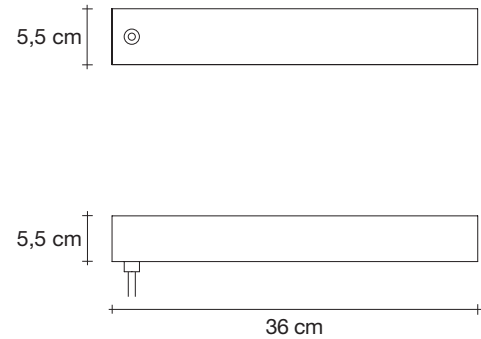


Input: 100-277 Vac. 50/60Hz  
Total output - 3000 lumen  
Color temperature - 3000 K  
Color accuracy - 90 CRI  
Power consumption - 27 Watt  
Power supply included in canopy



Dimmable with 1-10V  
Dali system on request

**Canopy |**



Designer Diego Bassetti and Architect Andrea Panzieri of Studio 14, protégés of Bruno Rainaldi, applied their multidisciplinary approach to create Terzani's first LED suspension light. This geometric design combines thin nickel chains with the latest in LED technology to create a light that is both elegant and modern. A breath of new light, Volver melds technology and art to achieve a new level of luxury.



95



45



199cm x 55cm x 102cm



# Volver, Breath of new *Light*

design Studio 14  
terzani.com

**TERZANI**  
LA LUCE PENSATA



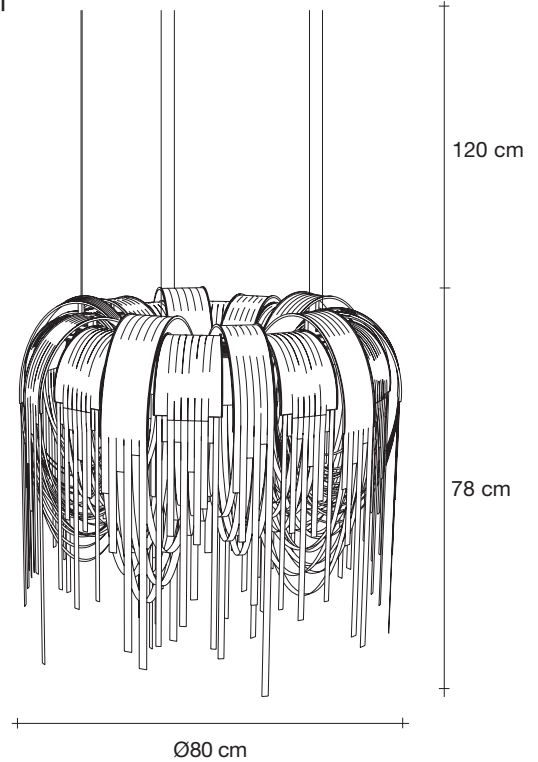
**Type |**  
Suspension

**Materials |**  
Brass chains and metal  
structure plated as below

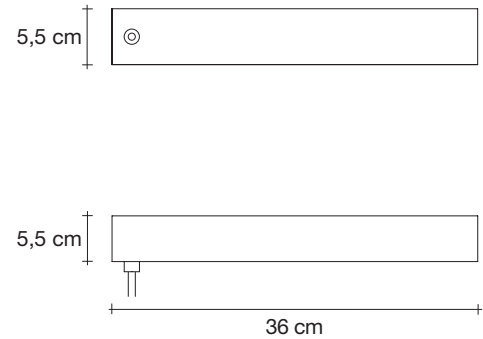
**Finishes | Code**

-  Nickel  
OL61S E7 C8
-  Black Nickel  
OL61S E9 C8
-  Bronze  
OL61S F7 C8
-  Gold  
OL61S L6 C8

**Body |**



**Canopy |**



**Light Source |**

230-240V ~ 50/60Hz

LED light



Input: 100-277 Vac. 50/60Hz  
Total output - 3000 lumen  
Color temperature - 3000 K  
Color accuracy - 90 CRI  
Power consumption - 27 Watt  
Power supply included in canopy



Dimmable with 1-10V  
Dali system on request

Designer Diego Bassetti and Architect Andrea Panzieri of Studio 14, protégés of Bruno Rainaldi, applied their multidisciplinary approach to create Terzani's first LED suspension light. This geometric design combines thin nickel chains with the latest in LED technology to create a light that is both elegant and modern. A breath of new light, Volver melds technology and art to achieve a new level of luxury.



90



40



110cm x 110cm x 126cm