

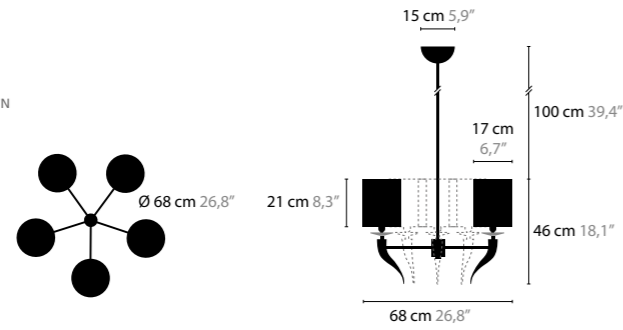
LOVING ARMS

LOVING ARMS IS A REGISTRATED DESIGN BY COEN MUNSTERS 2008

LOVING ARMS H5

11610

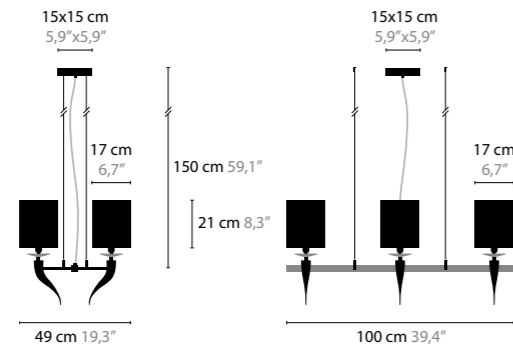
WITH CRYSTAL ELEMENTS
 BASE: 5 X E14 / 220V / MAX. 40W
 COLORS: 00-01-02-05-10-12-13-14-16
 SHADE: BLACK / RED / WHITE / CRÈME / BROWN



LOVING ARMS H6

11620

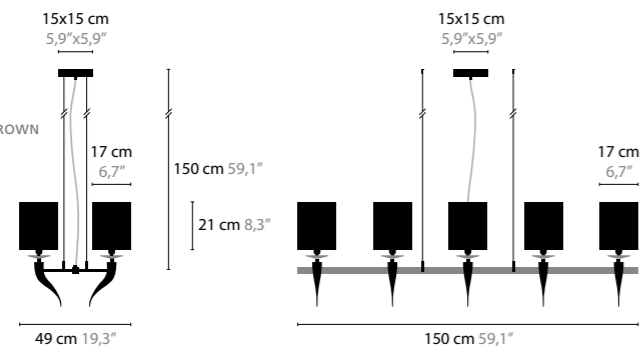
WITH CRYSTAL ELEMENTS
 BASE: 6 X E14 / 220V / MAX. 40W
 COLORS: 00-01-02-05-10-12-13-14-16
 SHADE: BLACK / RED / WHITE / CRÈME / BROWN



LOVING ARMS H10

11624

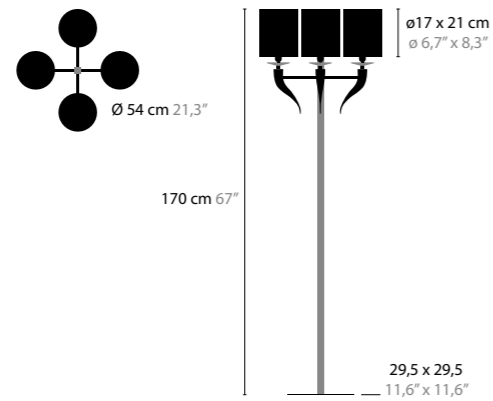
WITH CRYSTAL ELEMENTS
 BASE: 10 X E14 / 220V / MAX. 40W
 COLORS: 00-01-02-05-10-12-13-14-16
 SHADE: BLACK / RED / WHITE / CRÈME / BROWN



LOVING ARMS F4

11680

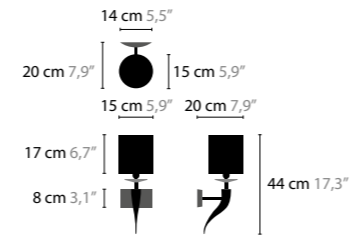
WITH CRYSTAL ELEMENTS
 BASE: 4 X E14 / 220V / MAX. 40W
 INCL. REGULAR / DIMMER
 COLORS: 00-01-02-05-10-12-13-14-16
 SHADE: BLACK / RED / WHITE / CRÈME / BROWN



LOVING ARMS W1

11640

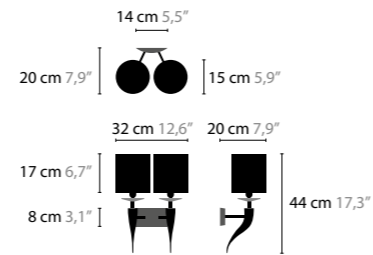
WITH CRYSTAL ELEMENT
 BASE: 1 X E14 / 220V / MAX. 25W
 COLORS: 00-01-02-05-10-12-13-14-16
 SHADE: BLACK / RED / WHITE / CRÈME / BROWN



LOVING ARMS W2

11644

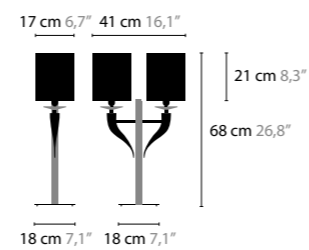
WITH CRYSTAL ELEMENTS
 BASE: 2 X E14 / 220V / MAX. 25W
 COLORS: 00-01-02-05-10-12-13-14-16
 SHADE: BLACK / RED / WHITE / CRÈME / BROWN



LOVING ARMS T2

11670

WITH CRYSTAL ELEMENTS
 BASE: 2 X E14 / 220V / MAX. 40W
 INCL. REGULAR / DIMMER
 COLORS: 00-01-02-05-10-12-13-14-16
 SHADE: BLACK / RED / WHITE / CRÈME / BROWN



11670