



Konkret

Konkret is a series that puts its constituent material to the test. “I wanted to challenge the way we use wood as a material for lights and show how the texture of the material can be changed through its design and how this also creates a natural and warm light,” says Jonas Edvard. Konkret is a pendant light made from ash veneer with the addition of a black tint and has fine details such as brass studs attaching the leather straps.



ASHWOOD VENEER

Specification

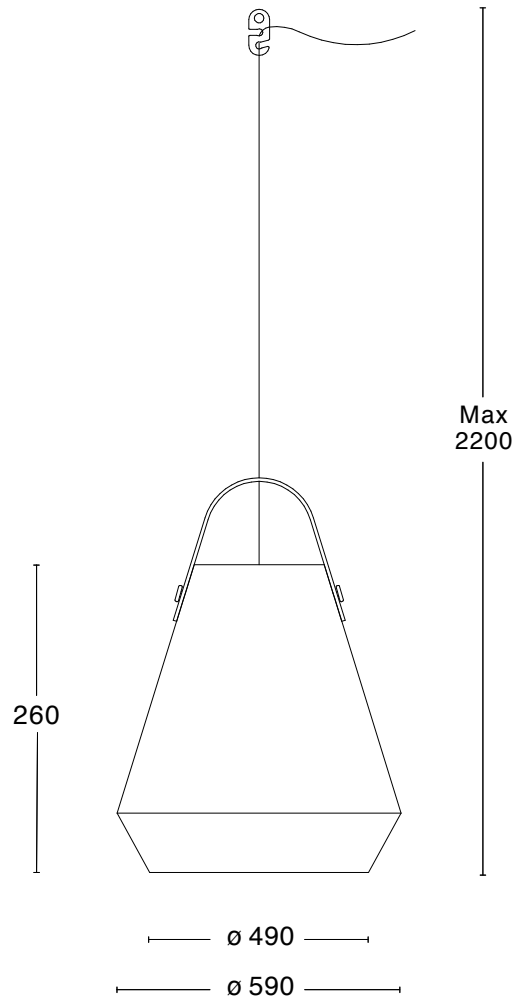
TECHNICAL SPECIFICATION

Design	Jonas Edvard
Electrical data	Class II IP20 230V
Description	Black toned ashwood veneer. Leather strap. Black textile cord
Connection	Ceiling socket
Light source	1x 7W LED E27

ARTICLE NO. & MODEL

35865-19-000	Ashwood veneer
--------------	----------------

Dimensions



KONKRET PENDANT