

# TUBULAR LIGHT HORIZONTAL

DESIGN MASSIMO CASTAGNA

Certified product:



## STRUCTURE

Dimmable Pendant energy saving led (Energy efficiency index A), lamp with GU 10 bulb with warm light pointed upward and downward; composition of diameters 5,5 cm, 7 cm and 10 cm in burnished Platino, burnished Titanio, burnished brass or black burnished brass. Light body h 48,5 cm or Maxi version h68,5. Standard overall height 130 cm. Can be customized. Available extra warm light 2700K (without extra costs). Only for indoor use. The UL Certified product is delivered without led bulb.

**HENGE**

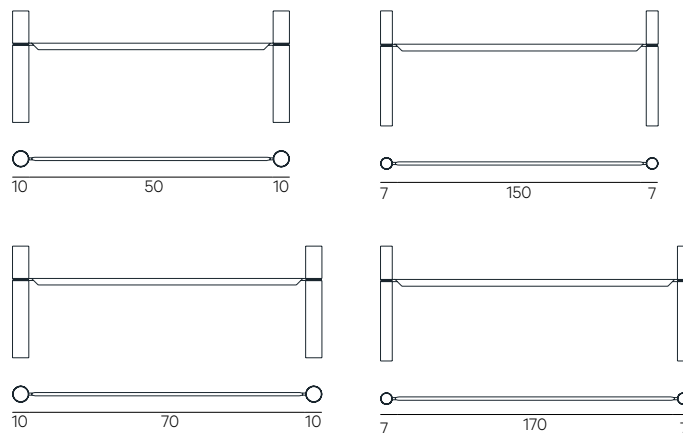
## TECHNICAL DATA

---

Cm 70 x Ø 7 - 3000K  
Cm 100 x Ø 7 - 3000K  
Cm 150 x Ø 7 - 3000K  
Cm 70 x Ø 10 - 3000K  
Cm 100 x Ø 10 - 3000K  
Cm 150 x Ø 10 - 3000K

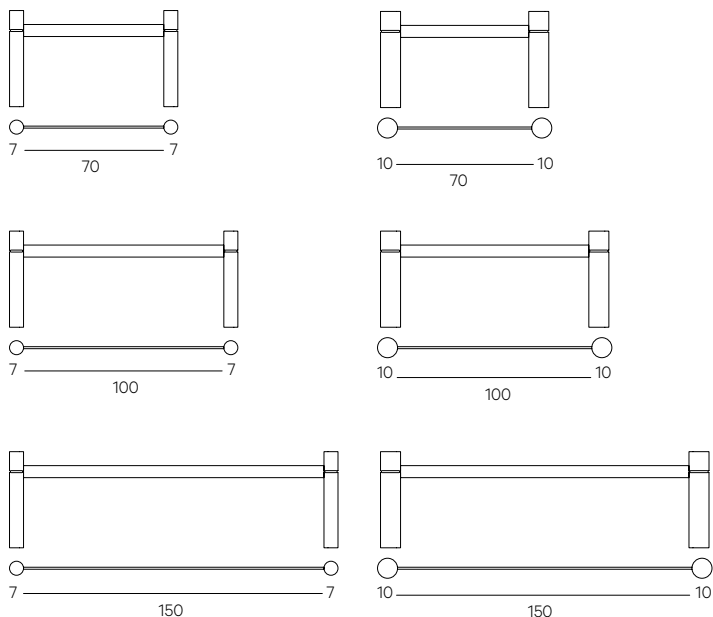
### Maxi

Cm 150 x Ø 7 - 3000K  
Cm 170 x Ø 7 - 3000K  
Cm 150 x Ø 10 - 3000K  
Cm 170 x Ø 10 - 3000K



## TECHNICAL DRAWINGS

---



## CARE AND MAINTENANCE OF METALS

---

Avoid leaving household liquids (oil, red wine, vinegar, etc.) on the surface. In particular, products that contain citric acid (present for example in fruit, citrus fruit and tomatoes) act on contact with the treated surface, removing its original sheen. Always clean stains while they are still fresh. For routine maintenance use a microfiber cloth and water. Do not use products containing acids, limescale removing substances or alcohol.