



Great White

Great White, designed in 2011 by the Claesson Koivisto Rune studio, was originally produced for the luxury Hotel Nobis in Central Stockholm. The design is emphatically playful. The pivoting arm in raw brass arcs high enough to walk under with ease and has something of the appearance and elasticity of a fishing line; the shade in off-white chinette resembles a large fish that is about to swallow its bait.



ROUGH BRASS

Specification

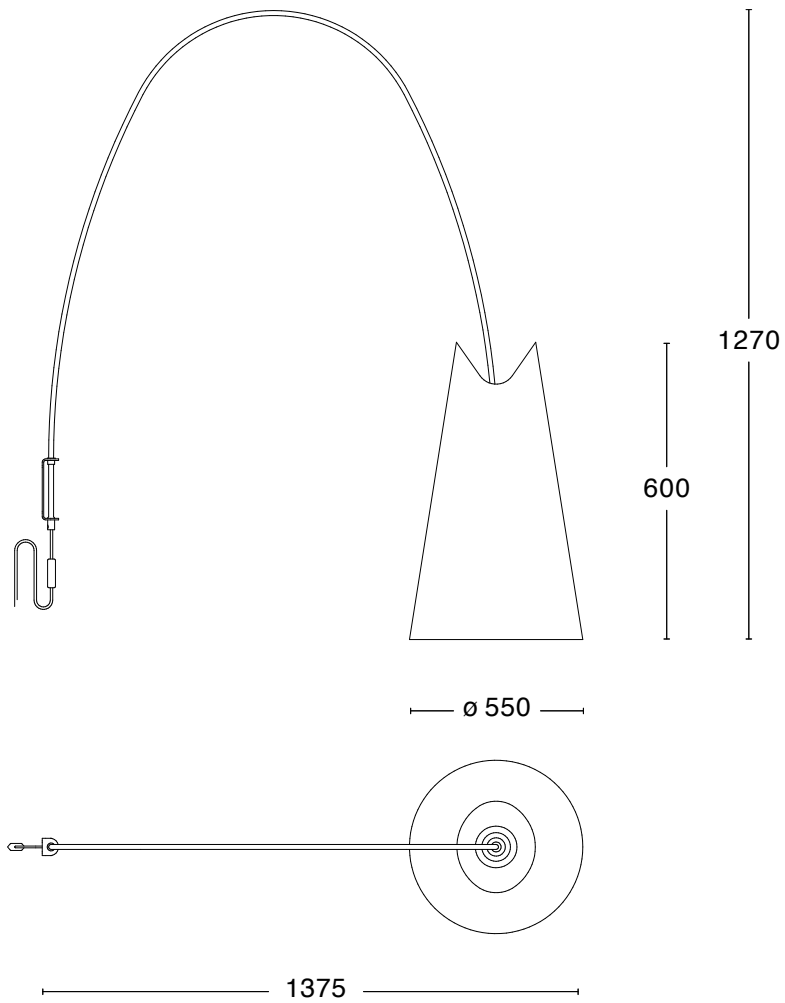
TECHNICAL SPECIFICATION

Design	Claesson Koivisto Rune
Electrical data	Class II IP20 230V
Description	Swingable and springy frame in rough brass. Shade in off-white chinette
Connection	2 m black cord with switch and plug
Light source	1x 7W LED E27 matt
Weight	13 kg
Volume	0,51 m ³
Care	Download Care Instructions
Recycling	Download Recycling Manual

ARTICLE NO. & MODEL

30390-72-006	Rough brass. Off-white chinette. Cord
--------------	---------------------------------------

Dimensions



GREAT WHITE WALL LAMP