

## Vega 2700W/NCAC.MB

### Spotlights - Adjustable spotlight



Adjustable luminaire, suitable for wall, ceiling or ground installation as a stand-alone floodlight or with stand support. Equipped with secondary optics for different distributions of the light, it is composed of an insulated base in PC, allowing the luminaire to be installed directly on the ground, without the risk of oxidation phenomena. All versions have an integrated quick rotation/adjustment system on the horizontal plane using a toothed ring, without the need for any tools. Available with monochrome LED version, with built-in driver, or even RGBW and Tunable White, (with remote control).

#### DEVICE SPECIFICATIONS

**Installation Type:** Wall Ceiling, Ground fixing

**IP:** 65

**IK:** 07

**GWT:** 960°C

**Body:** Die-cast aluminium alloy EN AB 46100

**Box:** Polycarbonate (PC) gw7T60 UV

**Frame:** Die-cast aluminium alloy EN AB46100

**Header:** NA

**Display:** Tempered Extraclear Glass 4mm

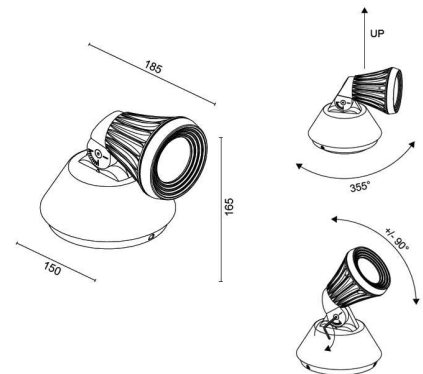
**Seals:** OR NBR rubber-EPDM rubber (Base)-Silicone Rubber (Glass)

**Screws:** Stainless steel Cat.V2

**Sink:** Extruded Aluminium Alloy AW6060

**Painting:** Anti-corrosive UV stabilised polyester powder

**Sizes:** H 165 x L 185 x W 150



#### ELECTRICAL SPECIFICATIONS

**Driver/Supply:** NA

**Dimming:** NA

**Wiring:** Single insulation wires type H05V-Internal Terminal Block

**Power in W:** 8W

**AC Input:** 220-240V/50-60Hz

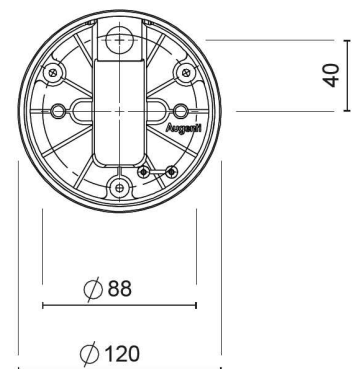
**Power Factor:** 0.92

**Insulation Class:** I

**Absorbed Power/W:** 8W

**TA Exercise:** 25°C

**Energetic Class:** A++



## OPTICAL SPECIFICATIONS

**Source:** COB 230V AC

**CCT:** 4000K

**CRI:** >80

**Source Flow:** 735lm

**Devices Flow:** 510lm

**Appliance Efficiency=lm/W:** 63.7lm/W

**LOR:** 69.4%

**Optical Type:** Internal PC Metalized Reflector

**Optical Distribution:** Flood

**Beam Opening:** 28°

## AVAILABLE COLOURS

	<b>Color</b>	<b>Cod.</b>
	Bianco RAL 9016	00
	Black RAL 9005	01
	Bianco Puro RAL 9010	10
	Bronze	24
	Rust	25