

Iris Iris Tondo 3110R/NA2.MB

Ground Recessed - Round steel frame H210



"IRIS" is a recessed fixture for installation on public areas, with stainless steel AISI 316L finish frame and high degree of protection (IP67) make it suitable for most extreme installation backgrounds. The extruded aluminium structure is coated with polyester powder and chromium-phosphate and tempered sandblasted glass. Available with different light sources.

DEVICE SPECIFICATIONS

Installation Type: Inground Recessed

IP: 67

IK: 10

Body: Nylon grey colour

Box: Nylon colore grigio

Frame: Stainless Steel AISI316L

Header: NA

Display: 12-15mm transparent tempered float glass

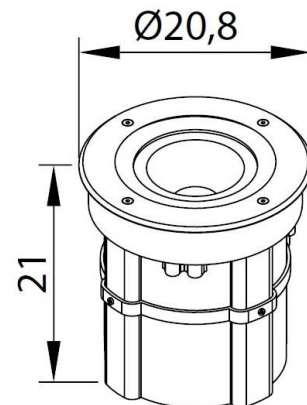
Seals: EPDM rubber Gaskeet- Megol grommets

Screws: AISI 316 stainless steel

Sink: Integrated on-board

Sizes: H 210 x Ø 208

Net Weight KG: 4,2 Kg



ELECTRICAL SPECIFICATIONS

Driver/Supply: Incorporated Driver 220-240v/50-60Hz

Dimming: Available on request DALI,1-10V,Push

Wiring: Double insulation cable for external H05RN-F with IP68 Cable Galnd

Power in W: 15,5W

AC Input: 220-240v/50-60hZ

Insulation Class: II

Absorbed Power/W: 15,5W

Energetic Class: A+

OPTICAL SPECIFICATIONS

Source: AR111

CCT: 4000K

CRI: >80

Source Flow: 1350lm


Appliance Efficiency=lm/W: 87,1lm/W

Optical Type: Satin anodised aluminium 99 85

Optical Distribution: Fascio Medio

Beam Opening: 24°

AVAILABLE COLOURS

	Color	Cod.
	Steel	99

