

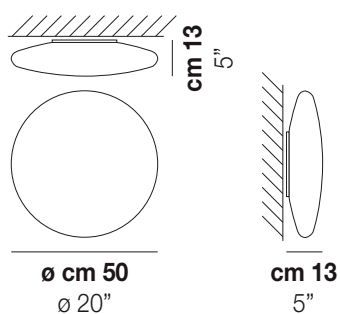
**MORIS**  
Design Vistosi

MORIS PL 50



Moris is Available in three sizes. It can be placed both as a ceiling or wall lamp. The lenticular shape of the satin finish blown glass helps to maximize the light output.

## MORIS PL 50



### TECHNICAL DATA:



### CERTIFICATIONS:



### LIGHT SOURCES

2x77w 220-240 V 50/60 Hz E27

LED 3000K DIM2 1x19 W 39 V

Led 3000 K 19 W 39 V 2850 lm DIM2 Phase Cut

LED 3000K DIM3 1x19 W 39 V

Led 3000 K 19 W 39 V 2850 lm DIM3 0-10V, Push

VOLUME Mc 0,13

GROSS WEIGHT Kg 9

NET WEIGHT Kg 6

download



### SHADE FINISHING



BCST

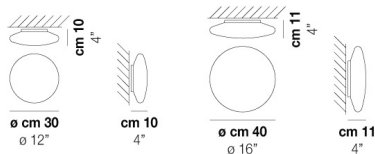
### FRAME FINISHING



BC

### OTHER VERSION AVAILABLE

Click on the version to go to the web version of the product



MORIS PP 30

MORIS PP 40