

HF

HECTOR FINCH

LIGHTING

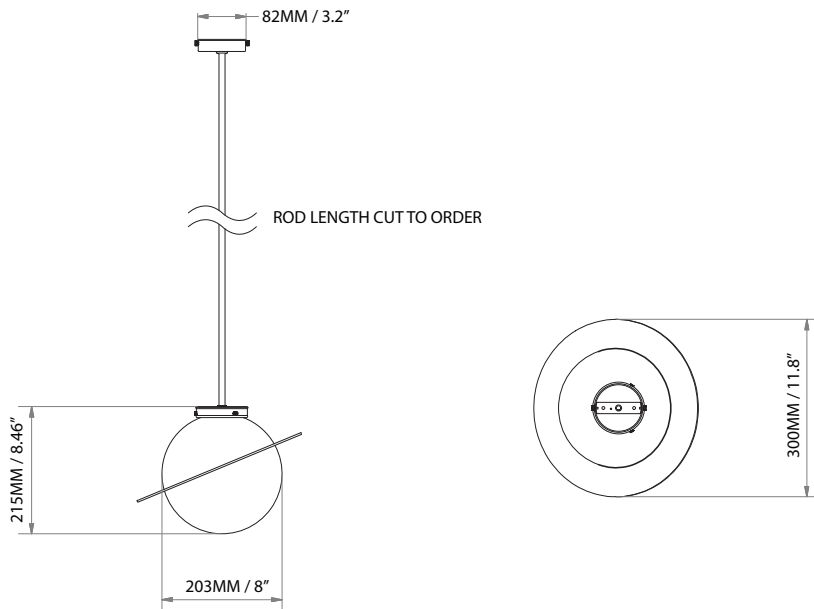
**SATURN GLOBE
PENDANT**



PRODUCT CODE PL308

CATEGORY: CHANDELIERS & PENDANTS

DIMENSIONS



SATURN GLOBE PENDANT

LAMP TYPE
INCANDESCENT**UK**
1 x 40W (Max) E27 Golfball**EU**
1 x 40W (Max) E26 Golfball**USA**
1 x 40W (Max) E26 Golfball

LAMP TYPE ENERGY
SAVING

Suitable CFL or LED equivalent.

APPLICATION**UK/EU**
Suitable for indoor use only.

FINISH OPTIONS

Antique Brass, Polished Unlacquered Brass (shown), Bronze, Chrome and Nickel Polished.