

# BROOKLYN ROUND - L23202.360.0102

Enzo Panzeri 2017

Novelty

Suspension lighting fixture for interiors, with direct light emission.

Bended extruded aluminium structure in RAL 9003 white powder paint.

Extruded polycarbonate diffuser with opaline finish.

Suspension kit with griplocks and 5m (196,9") long steel cables.

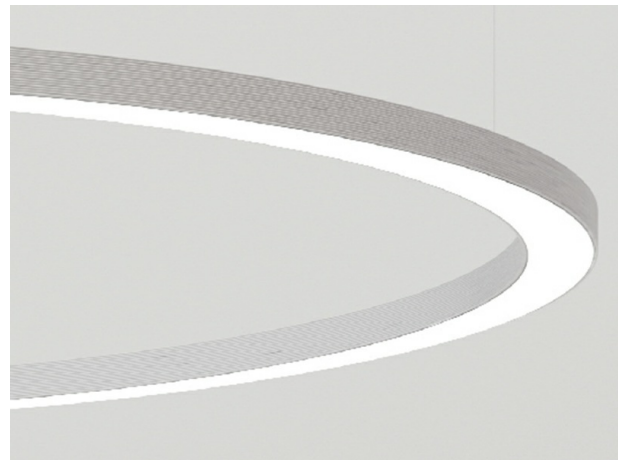
5m (196,9") long power cable in transparent PVC.

Power canopy with pickled sheet metal ceiling bracket and covering in RAL 9003 white polyacrylic paint.

## DATA SHEET



Code	L23202.360.0102
System power consumption	109W
Light source	LED
Light source lifetime	L80 (B20) 60'000h
Colour temperature	3000K Ra >80
Light distribution	diffused
Power supply	220-240V AC
Frequency	50/60Hz
Electrical configuration	dimable (DALI/Push DIM)
Driver	integrated included
Nominal luminous flux	12908lm
Lumen output	4260lm
Efficiency	33.003%
Weight	5,8300Kg
Protection degree	IP40
Colour tollerances	SDCM 3
Dimensions	202 x 202 x 13



Colour

black



## ACCESSORIES

XM231/32-UD  
Diffuser junction.

XM231/23202L - black  
Plate for multiple suspensions.

XM2033/34/32/31-S  
Power cables.

 TECHNICAL DRAWING

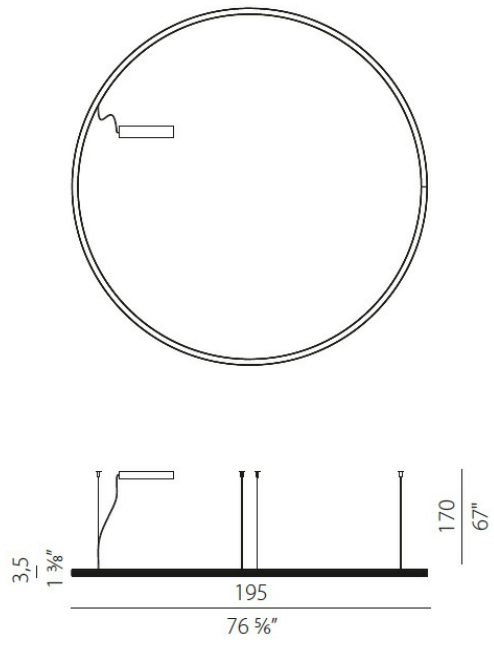


 DIAGRAMMA POLARE

