

# BROOKLYN ROUND - L23101.180.0102

Enzo Panzeri 2017

Novelty

Suspension lighting fixture for interiors, with direct light emission.

Bended extruded aluminium structure in RAL 9003 white powder paint.

Extruded polycarbonate diffuser with opaline finish.

Galvanized sheet metal end caps in polyacrylic paint.

Suspension kit with griplocks and 2m (78,7") long steel cables.

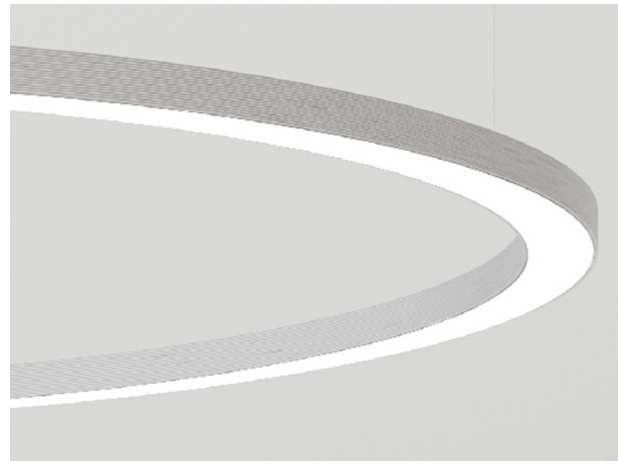
2,2m (86,6") long power cable in transparent PVC.

Power canopy with pickled sheet metal ceiling bracket and covering in RAL 9003 white polyacrylic paint.

## DATA SHEET



Code	L23101.180.0102
System power consumption	29W
Light source	LED
Light source lifetime	L80 (B20) 60'000h
Colour temperature	3000K Ra >80
Light distribution	diffused
Power supply	220-240V AC
Frequency	50/60Hz
Electrical configuration	dim mable (DALI/Push DIM)
Driver	integrated included
Nominal luminous flux	3227lm
Lumen output	1065lm
Efficiency	33.003%
Weight	1,9900Kg
Protection degree	IP40
Colour tollerances	SDCM 3
Dimensions	13 x 108 x 57



Colour

matt white



## ACCESSORIES

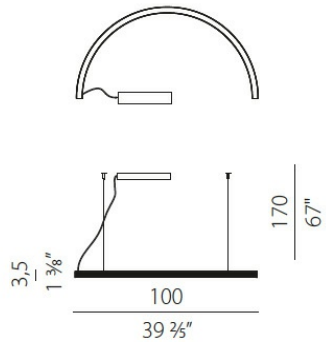
XM231/32-UD  
Diffuser junction.

XM231/23201L - matt white  
Plate for multiple suspensions.

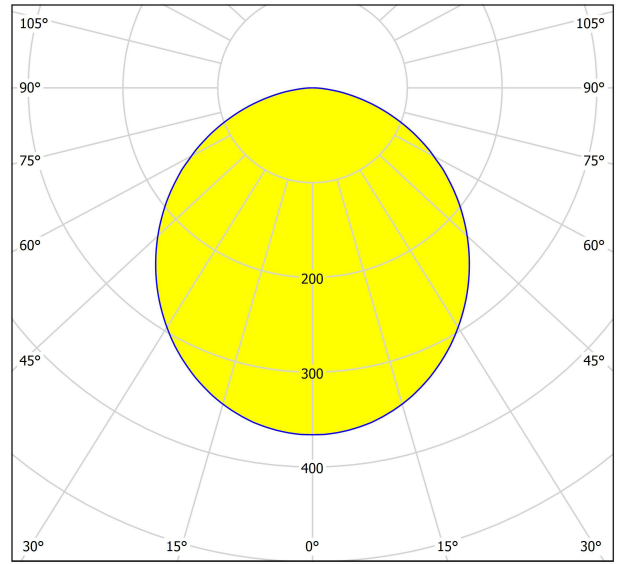
XM2033/34/32/31-S  
Power cables.



# TECHNICAL DRAWING



# DIAGRAMMA POLARE



cd/klm  
— C0 - C180 — C90 - C270

$\eta = 100\%$

