

# VERTIGO

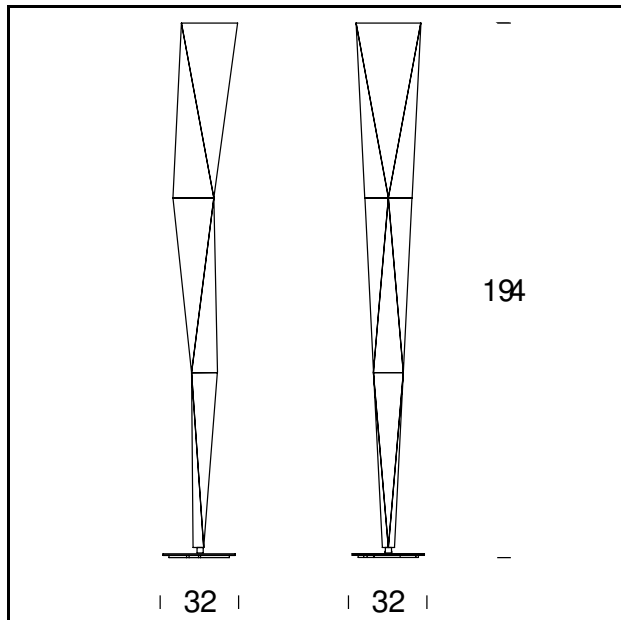
Marco Acerbis, 2005

This indirect light floor lamp with its distinctive sharp corners and edges is the result of folding a fine sheet of aluminum. The structure is mounted on a steel base and can be rotated 320°.



## TECHNICAL SHEET

Indirect beam floor lamp with dimmer. Folded mirror-polished aluminum sheet frame, white or black finish. Steel base in matteblack finish. The frame rotates 320° horizontally. Black power cable, dimmer and plug.



**MODEL NAME:** Vertigo

**CODE:** 5531

**DIMENSIONS:** Ø 32 x 194 cm

**MATERIALS:** Metal

### COLORS

● Chrome-Plated

**BULB:** 1×230W (HA) Eco Saver R7s/115

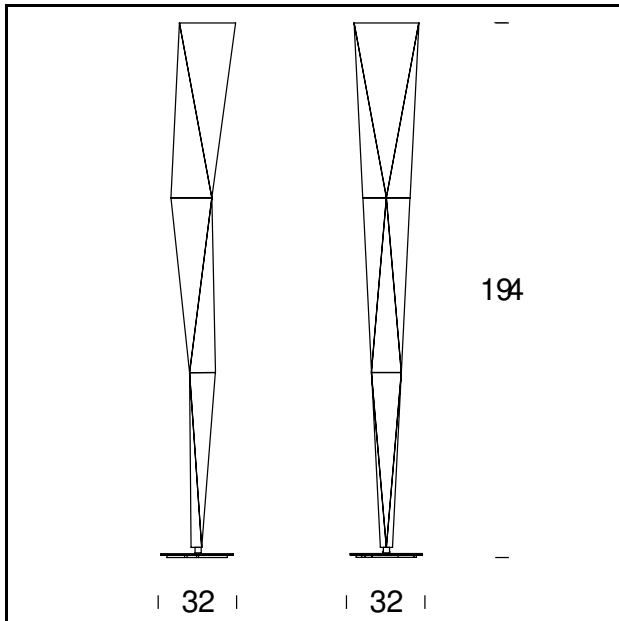
**PLUG:** Black

**POWER CORD:** Black

**DIMMER:** Dimmer

### CERTIFICATIONS AND SYMBOLS:

CE EAC IP20 *Classe II*



**MODEL NAME:** Vertigo

**CODE:** 5531..

**DIMENSIONS:** Ø 32 x 194 cm

**MATERIALS:** Metal

## COLORS

- Black - RAL Code: RAL 9005 Gloss
- White Gloss - RAL Code: RAL 9003 Gloss

**BULB:** 1×230W (HA) Eco Saver R7s/115

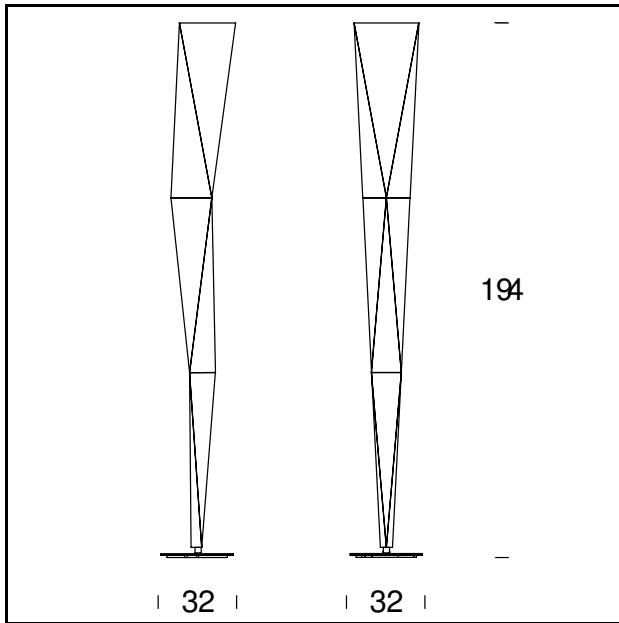
**PLUG:** Black

**POWER CORD:** Black

**DIMMER:** Dimmer

## CERTIFICATIONS AND SYMBOLS:





**MODEL NAME:** Vertigo Led

**CODE:** 4291

**DIMENSIONS:** Ø 32 x 194 cm

**MATERIALS:** Metal

#### **COLORS**

● Chrome-Plated

**BULB:** 30W Led Line Voltage (3000 K, CRI 85, 2900 Lm)

**PLUG:** Black

**POWER CORD:** Black

**DIMMER:** Dimmer

#### **CERTIFICATIONS AND SYMBOLS:**



Subject to technical modifications and modifications to content