

Products /  NORLIGHT / BUBBLE / BUBBLE TOURBILLON SUSPENDED WITH JOINT / DD15SL550AE

## BUBBLE DD15SL550AE

### TECHNICAL DATA

#### GENERAL



Item code	DD15SL550AE
Place installation	indoor
Name	BUBBLE TOURBILLON SUSPENDED WITH JOINT / DD15SL550AE suspension
Standard colour	AE - white RAL 9003
Variante colour	CH - semi-bright aluminium RAL 9006
Environments	hallway, conference hall, art and culture, leisure areas, retail areas, places of worship
Designer	ALFONSO FEMIA /AF*design



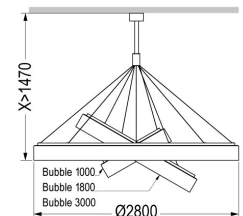
#### PHYSICAL

Installation type	suspension
Mounting type	surface
Body	Round metal frame, seats for the electrical components and anchor points for the suspension device and diffusers.
Glow wire resistance	850°C



#### DIMENSIONS

H3: Minimum distance suspension ceiling (mm)	1470
D: Total diameter device (mm)	2800
Weight (kg)	130



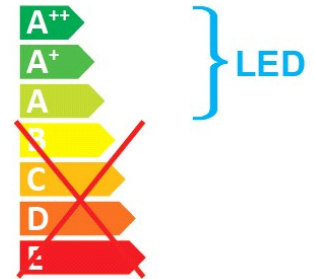
**Bubble 1000 = 164W**  
**Bubble 1800 = 291W**  
**Bubble 3000 = 600W**

#### OPTICAL SYSTEMS

Emission	diffuse
Optical System	Smooth opal polycarbonate diffuser, injection moulded, shock-resistant, anti-ageing.

## ENERGY SAVING

This luminaire contains built-in LED lamps  
The lamps cannot be changed in the luminaire



## SOURCES

Source Type	Source Power	System Power	Source	Lamp Socket	Sources Temperature Colour	Nominal Flux	Output Flux	Source description
LED	-	1055W	49 LED engine	-	4000K	-	58440 lm	-

## ELECTRICAL

Ballast type	Electronic with dimmer DALI
Mounting ballast type	Integral
Voltage	220-240V
Frequency	50-60Hz
Wiring	Electrical harness wired for 220-240V-AC 50-60Hz power supply. 2.5mm <sup>2</sup> LTN terminal block. DALI dimmable electronic ballast.

## NORMS / DIRECTIVES

Norms	EN 60598-1, EN 60598-2-1
Directives	2014/35/UE, 2014/30/UE

## ACCESSORIES

### INCLUDED ACCESSORIES

#### Electrical

LED sources 4000K

#### Mounting

Suspension kit complete with suspended cables connected to the joint. slanting positions fixed. 4 suspension cables L=10000mm

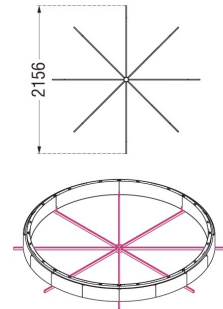
Cylindrical ceiling rose with terminal block and 3 power supply cables and transparent sheath L=10000mm (triple switch)

## OPTIONAL ACCESSORIES

### Electrical

Accessory code	MEC6134
Technical description	Dimming DALI Kit (Wireless receivers unit + portable hand transmitter).
Accessory code	MEC6135
Technical description	Dimming DALI Kit (Wireless receivers unit + portable table/wall transmitter with integrated light sensor).
Accessory code	MEC6161
Technical description	Dimming DALI Kit (Remote Controller via push-button for multi luminaires installation).

### Mounting

Accessory code	150A031VE	
Technical description	BUBBLE 3000 - Umbrella like gauge for assembly and support.	