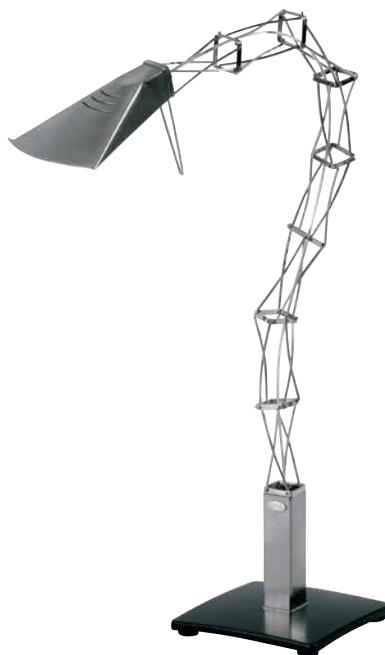
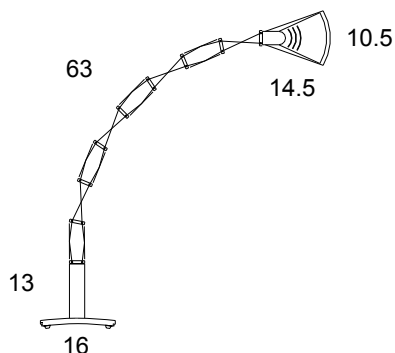


# Multi X Light

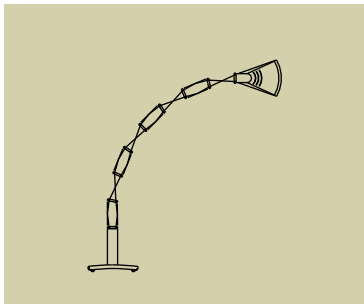
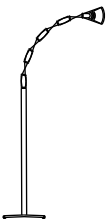
Yaacov Kaufman, 2004

Table lamp made of metal: the upper body itself, composed by a stainless steel structure, is totally adjustable. The switch is on the body.



<b>TECHNICAL DATAS</b>	Product Name (code)	<b>Multi X Light (25)</b>
	Certificates	<b>CE</b>
	Norms	<b>EN 60-598-1 (CEI 34-21)</b>
	Light sources	<b>MAX 60W HAL - G9 (48W energy saver included - only for 230V)</b>
	Available	<b>230V (Europe) - 120V (USA - Japan) - 240V (UK)</b> <i>(fittings come with appropriate plug)</i>
	Insulation Class	<b>II</b>
	Protection Class	<b>IP20</b>
Packaging	<b>0,026m<sup>3</sup> - 2,7Kg</b>	

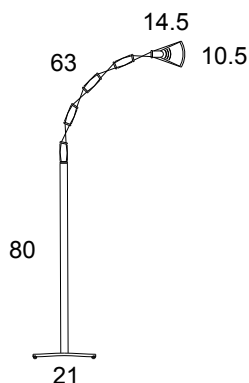
<b>COLOURS</b>		
	Black Soft-touch	Brushed Nickel

<b>FAMILY</b>		
	Multi X	Multi X Terra

# Multi X Terra Light

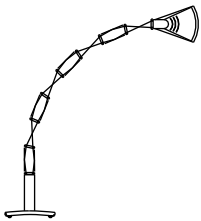
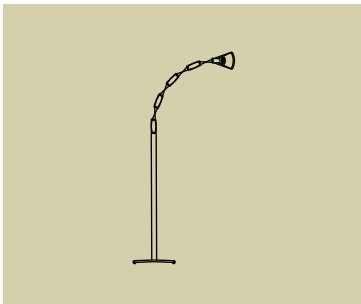
Yaacov Kaufman, 2004

Floor lamp made of metal: the upper body itself, composed by a stainless steel structure, is totally adjustable. The switch is on the body.



<b>TECHNICAL DATAS</b>	Product Name (code)	<b>Multi X Terra Light (27)</b>
	Certificates	<b>CE</b>
	Norms	<b>EN 60-598-1 (CEI 34-21)</b>
	Light sources	<b>MAX 60W HAL - G9 (48W energy saver included - only for 230V)</b>
	Available	<b>230V (Europe) - 120V (USA - Japan) - 240V (UK)</b> <i>(fittings come with appropriate plug)</i>
	Insulation Class	<b>II</b>
	Protection Class	<b>IP20</b>
Packaging	<b>0,081m<sup>3</sup> - 4,3Kg</b>	

<b>COLOURS</b>		
	Black Soft-touch	Brushed Nickel

<b>FAMILY</b>		
	Multi X	Multi X Terra