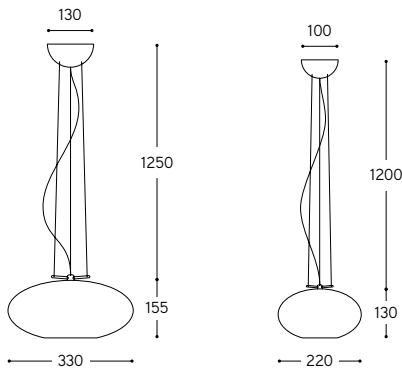





LINEA  
Cipolle

Art. CIPO.1/...

Art. CIPO.2/...



ARTICOLO ITEM	DESCRIZIONE DESCRIPTION	ALIMENTAZIONE E MODULO LED DIMMERABILE POWER AND LED DIMMABLE MODULE	COLORE LED LED COLOUR	ATTACCO SOCKET	POTENZA POWER	PESO GR. WEIGHT GR.	VOL. IN M <sup>3</sup> VOL. IN M <sup>3</sup>	FINITURA FINISHING	FASCIA PREZZO PRICE RANGE
CIPO.1/LED/...	Sospensione in ceramica Ceramic pendant	lumen: 884 CRI (indice di cromaticità): > 80 durata: 50.000H	2700°K Bianco caldo Warm white		10W	5.760	0,14	BL, BM, NL, NM, MR, NIR	<b>B83</b>
								PT, AU, CU	<b>B99</b>
CIPO.1/...	Sospensione in ceramica Ceramic pendant			E27	70W	5.760	0,14	BL, BM, NL, NM, MR, NIR	<b>B76</b>
								PT, AU, CU	<b>B94</b>
CIPO.2/LED/...	Sospensione in ceramica Ceramic pendant	lumen: 340 CRI (indice di cromaticità): > 80 durata: 50.000H	2700°K Bianco caldo Warm white		8W	3.960	0,07	BL, BM, NL, NM, MR, NIR	<b>B69</b>
								PT, AU, CU	<b>B87</b>
CIPO.2/...	Sospensione in ceramica Ceramic pendant			E27	70W	3.960	0,07	BL, BM, NL, NM, MR, NIR	<b>B62</b>
								PT, AU, CU	<b>B80</b>

CE IP20   

/... **BL** = Finitura BIANCO LUCIDO interna ed esterna / GLOSSY WHITE inside and outside finish

/... **BM** = Finitura BIANCO MATT interna ed esterna / MATTE WHITE inside and outside finish

/... **NL** = Finitura NERO LUCIDO interna ed esterna / GLOSSY BLACK inside and outside finish

/... **NM** = Finitura NERO MATT interna ed esterna / MATTE BLACK inside and outside finish

/... **MR** = Finitura METAL RAME interna ed esterna / COPPER METAL inside and outside finish

/... **NIR** = Finitura NERO IRIDATO interna ed esterna / IRIDESCENT BLACK inside and outside finish

/... **PT** = Finitura esterna PLATINO, interna BIANCO LUCIDO / PLATINUM outside finish, GLOSSY WHITE inside finish

/... **AU** = Finitura esterna ORO, interna BIANCO LUCIDO / GOLD outside finish, GLOSSY WHITE inside finish

/... **CU** = Finitura esterna RAME, interna BIANCO LUCIDO / COPPER outside finish, GLOSSY WHITE inside finish

