

# CLOUD (35988.25)

Manufacturer: Schmitz-Leuchten GmbH & Co. KG

35988.25 CLOUD

Surface: aluminium anodised

Measurements (LxBxH): 790 x 740 x 80 mm

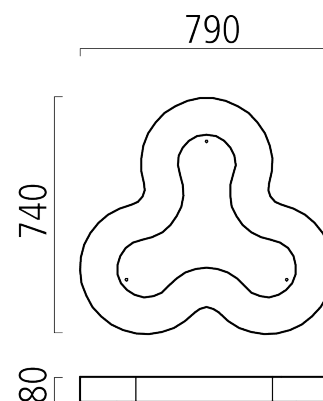
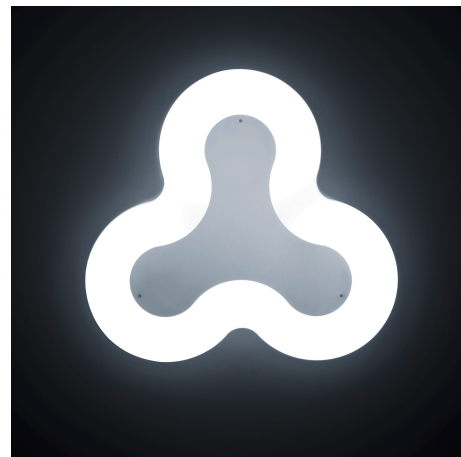
light source: 3 x T16-R, 40W, 2GX13

Control Mode: ON/OFF

Weight: 9,1 kg

degree of protection: IP20

protection class: 1

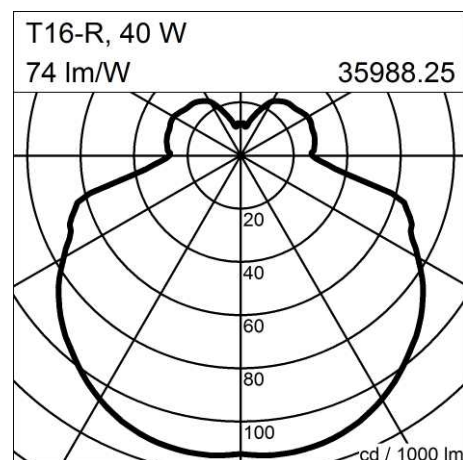


## Lighting Data

light source: 3 x T16-R, 40W, 2GX13

Measurements (LxBxH): 790 x 740 x 80 mm

Energy Efficiency Classification (EEC): A+,A,B



5 year warranty as specified in our terms of warranty at [www.schmitz-lighting.com/warranty](http://www.schmitz-lighting.com/warranty)

All data and information has been prepared with great care. Errors and omissions excepted. Product images are exemplary and may deviate from the original. We reserve the right improve and therefore change products at any time. © Schmitz-Leuchten GmbH & Co. KG  
Datasheet created/changed at 17.5.2016