

JACKIE IOT - CA07703.000.0413

Enzo Panzeri 2017

Wall lighting fixture for interiors, with swivelling light beam.

Pickled sheet metal wall bracket in polyacrylic paint.

Extruded aluminium frame in matt white, black, red or titanium polyacrylic paint.

Die-cast aluminium joints in polyacrylic paint.

Steel wire rope slings.

Die-cast aluminium head rotating on two axes in polyacrylic paint.

Acrylic diffuser with double serigraphy.

Push-button to adjust luminosity according to 5 levels of visual comfort.

Module for luminous flux automatic regulation, complete with sensor for measuring environmental conditions and with Bluetooth antenna for managing the device or for connecting it to a Building Automation system.

Equipped with a 1,6m (63") long power cable with USB connector and adapter plug.



DATA SHEET



Code	CA07703.000.0413
System power consumption	10W
Efficacy	52.6lm/W
Light source	LED
Light source lifetime	L90 (B10) 50'000h
Colour temperature	3000K Ra >90
Light distribution	adjustable
Apertura fascio	90°
Power supply	220-240V AC
Frequency	50/60Hz
Electrical configuration	dimnable (IoT/Step DIM)
Driver	integrated included
Nominal luminous flux	600lm
Lumen output	526lm
Efficiency	87.667%
Weight	0,8360Kg
Protection degree	IP40
Colour tollerances	SDCM 3



 Colour

red





TECHNICAL DRAWING

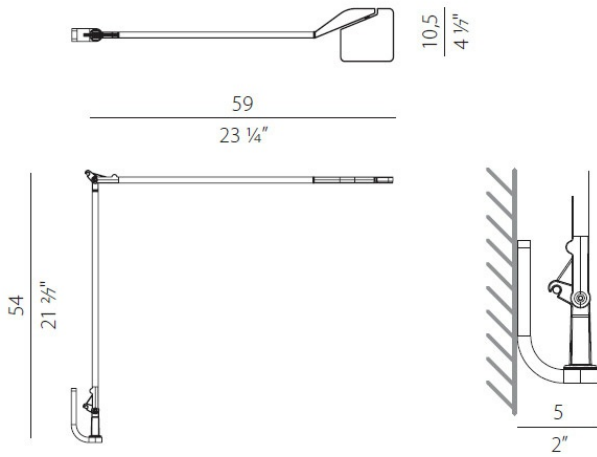


DIAGRAMMA POLARE

