

JACKIE - C07730.000.0409

Enzo Panzeri 2015

- Table lighting fixture for interiors, with swivelling light beam.
- Pickled sheet metal bearing base in polyacrylic paint.
- Extruded aluminium frame in matt white, black, red, titanium or matt gold polyacrylic paint.
- Die-cast aluminium joints in polyacrylic paint.
- Steel wire rope slings.
- Die-cast aluminium head rotating on two axes in polyacrylic paint.
- Acrylic diffuser with double serigraphy.
- Push-button to adjust luminosity according to 5 levels of visual comfort.
- Equipped with a 1,6m (63") long power cable with USB connector and adapter plug.



DATA SHEET



Code	C07730.000.0409
System power consumption	10W
Light source	LED
Light source lifetime	L90 (B10) 50'000h
Colour temperature	3000K Ra >90
Light distribution	adjustable
Apertura fascio	90°
Power supply	220-240V AC
Frequency	50/60Hz
Electrical configuration	dimnable (Step DIM)
Driver	integrated included
Nominal luminous flux	600lm
Lumen output	526lm
Efficiency	87.667%
Weight	4,2050Kg
Protection degree	IP40
Colour tollerances	SDCM 3



 Colour
titanium



 TECHNICAL DRAWING

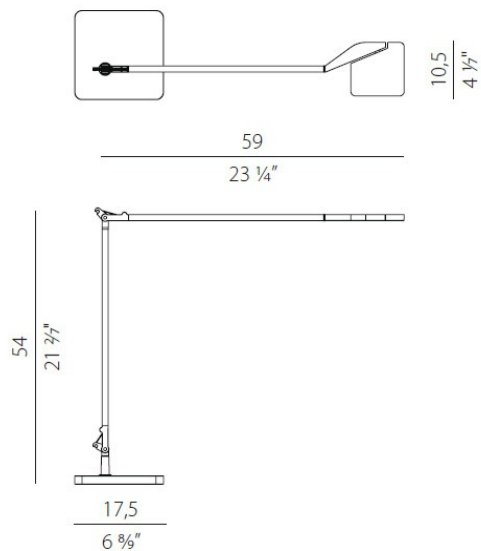
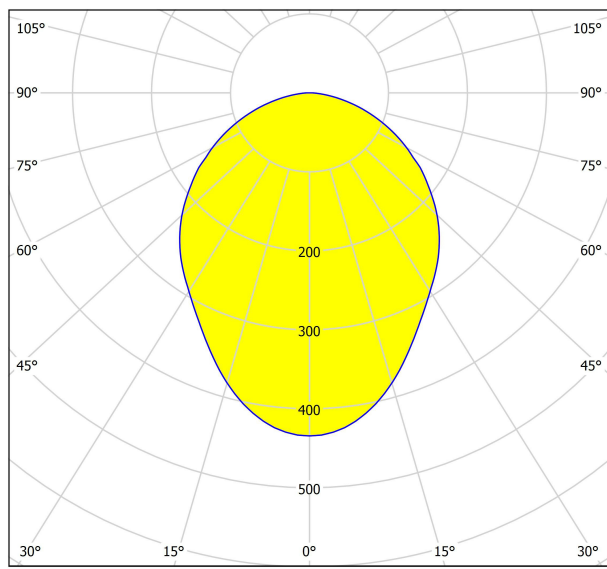


 DIAGRAMMA POLARE



cd/klm
 — C0 - C180 — C90 - C270

η = 100%

