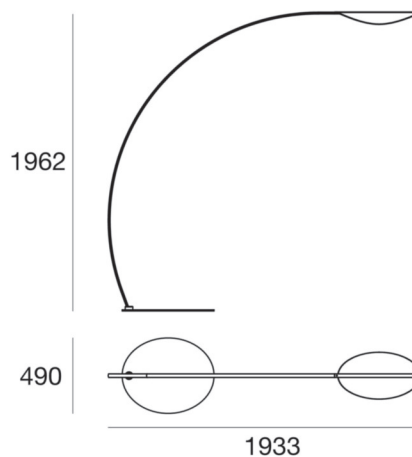




Floor Lamp | 220-240 V | topLED 30 W 900 mA | CRI 90
8165



Technical data	
Installation position	Floor
Installation environment	Indoor
Light Source	LED
Optics	General Lighting
Light emission direction	downward and upward
Power	30 W
Luminous flux (source)	3743 lm
Frequency	60 - 50 Hz
CCT / Tonalità	3000 K
Colour rendering index	90 Ra
Safety class	1
IP	IP20
Optical compartment IP	IP40
Glow wire test	650°
Direct mounting on normally flammable surfaces	Yes
CE	Yes
ETL	No
Driver included	Yes
Dimmable article	PUSH DIM
Induzione	No
Emergency mode	No
Motion sensor	No
Directional	No
Tilting	No
Walk-over	No
Drive-over	No
Cable included	Yes
Cable length	2.5 m
Electric socket	Type F+E
Resin potting	No

Finishing casing	
Material	Aluminium
Colour	embossed white RAL 9003
Processing	Coating

Finishing diffuser	
Material	PMMA
Colour	transparent
Processing	Laser engravings

Finishing mounting frame	
Material	Iron
Colour	embossed white RAL 9003
Processing	Coating

Floor Lamp | 220-240 V | topLED 30 W 900 mA | CRI 90
8165

Double emission floor lamp for indoor application. The warm white LED light source with a general lighting light distribution is composed of 200 topLEDs with CCT of 3000 K and a CRI 90; the source luminous flux is 3743 lm, with a 124.8 lm/W nominal luminous efficacy and an operating lifetime (L80) of 80000 hours.

The device body is made of aluminium and features a embossed white ral 9003 finish, processed by means of coating; the diffuser is made of pmma with a laser engravings treatment; the mounting frame is made of iron, with a embossed white ral 9003 finish, processed by means of coating. The ingress protection degree is IP20; The power supply driver is included in the delivery.

The total absorbed power is 30 W. The power supply cable is included and features.

The device features protection class I and can be floor-mounted.

Illuminotechnical Features	
Light Output Ratio (LOR)	66 %
Luminous flux (source)	3743 lm
Luminaire luminous flux	2489 lm
Consumption	30 W
Luminaire efficacy	82 lm/W
Colour temperature	3000 K
Standard Deviation of Colour Matching	3 Step MacAdam
Colour rendering index	90 Ra
Life / Failure ratio	L80C0B20
OPTICAL	
Light distribution simmetry	Asymmetrical
Ottica C0/C180	180°

