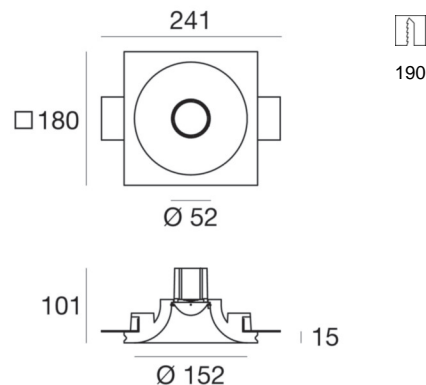
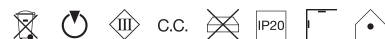


# Gypsum\_Eye1



Downlights | arrayLED 7.5 W 200 mA | CRI 80  
61340W70



## Technical data

|  |                       |
|--|-----------------------|
| Installation position                          | Wall lights - Ceiling |
| Installation environment                       | Indoor                |
| Light Source                                   | LED                   |
| Optics   | Flood                 |
| Power  | 7.5 W                 |
| Luminous flux (source)                         | 1117 lm               |
| Current intensity                              | 200mA                 |
| CCT / Tonalità                                 | 3000 K                |
| Colour rendering index                         | 80 Ra                 |
| C.C. / C.V.                                    | CC                    |
| Safety class                                   | 3                     |
| IP   | IP20                  |
| Optical compartment IP                         | IP40                  |
| Glow wire test                                 | 850°                  |
| Direct mounting on normally flammable surfaces | Yes                   |
| CE   | Yes                   |
| ETL  | No                    |
| Fire Rated (BS 476 PT21 compliant)             | No                    |
| Operating temperature                          | -30°C / +85°C         |
| Driver included                                | No                    |
| Induction                                      | No                    |
| Emergency mode                                 | No                    |
| Directional                                    | No                    |
| Tilting  | No                    |
| Walk-over                                      | No                    |
| Drive-over                                     | No                    |
| Cable included                                 | No                    |
| Resin potting                                  | No                    |
| Type of light emission                         | Single emission       |
| Net weight                                     | 1.101 Kg              |

## Finishing casing

|          |         |
|----------|---------|
| Material | plaster |
| Colour   | white   |


## Finishing diffuser

|            |              |
|------------|--------------|
| Material   | Glass        |
| Processing | Sandblasting |

## Electronics

 62432  
DALI 1-10V Multi Power 176-240V AC / 220-240V DC

 62431  
1-10V Multi Power 99-264V AC / 170-280V DC

 62423  
On/Off Driver 176-264V AC



Downlights | arrayLED 7.5 W 200 mA | CRI 80  
**61340W70**

Single emission downlights for indoor application. The warm white LED light source with a flood light distribution is composed of 1 arrayed LEDs with CCT of 3000 K and a CRI 80; the source luminous flux is 1117 lm, with a 148.9 lm/W nominal luminous efficacy.

The device body is made of plaster and features a white finish; the diffuser is made of glass with a sandblasting treatment. The ingress protection degree is IP20; the total weight is of 1.101 kg. The power supply driver is not provided and is to be ordered separately.

The total absorbed power is 7.5 W.

The device features protection class III and can be wall lights or ceiling-mounted, with a 190 x 190 mm hole (in plasterboard).

### Illuminotechnical Features

|                                       |                |
|---------------------------------------|----------------|
| Light Output Ratio (LOR)              | 39 %           |
| Luminous flux (source)                | 1117 lm        |
| Luminaire luminous flux               | 444 lm         |
| Consumption                           | 7.5 W          |
| Luminaire efficacy                    | 60 lm/W        |
| Colour temperature                    | 3000 K         |
| Standard Deviation of Colour Matching | 3 Step MacAdam |
| Colour rendering index                | 80 Ra          |

### Life / Failure Ratio

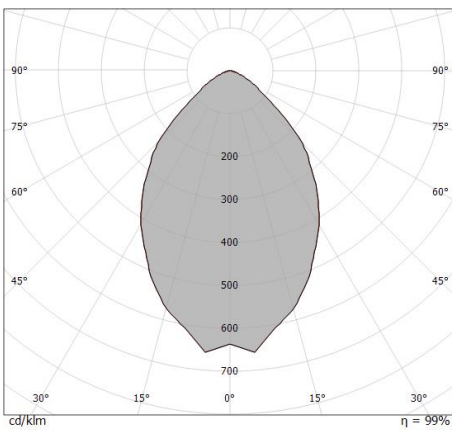
|                |
|----------------|
| L80 B20 C0 80h |
|----------------|

### UGR

|                   |          |
|-------------------|----------|
| X=4H   Y=8H       | S=0.25H  |
| Reflection factor | 70/50/20 |
| UGR transversal   | < 16     |
| UGR axial         | < 16     |

### OPTICAL

|                             |             |
|-----------------------------|-------------|
| Light distribution simmetry | Symmetrical |
| Optica C0/C180              | 74°         |



| Distance [m] | Cone diameter [m] | Illuminance [lx]        |
|--------------|-------------------|-------------------------|
| 0.5          | 0.76              | E(0°) 1131<br>E(C0) 297 |
| 1.0          | 1.51              | E(0°) 283<br>E(C0) 74   |
| 1.5          | 2.27              | E(0°) 126<br>E(C0) 33   |
| 2.0          | 3.03              | E(0°) 71<br>E(C0) 19    |
| 2.5          | 3.78              | E(0°) 45<br>E(C0) 12    |
| 3.0          | 4.54              | E(0°) 31<br>E(C0) 8     |

Distance [m] Cone diameter [m] Illuminance [lx]  
 — C0/C180 (Half-peak divergence: 74.2°)



Gypsum\_Eye1 | Downlights | Accessories  
**61340W70**



Thick - KIT thicknesses for installation on plasterboard

**Code**  
60830