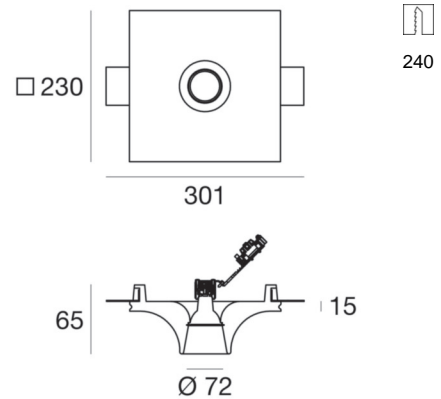




Downlights | 220-240 V | 1xGU10
60822



Technical data	
Installation position	Ceiling
Installation environment	Indoor
Lamp cap	1 x GU10 Max
Optics	spot
Safety class	2
IP	IP40
Glow wire test	850°
Direct mounting on normally flammable surfaces	Yes
CE	Yes
ETL	No
Fire Rated (BS 476 PT21 compliant)	No
Induction	No
Emergency mode	No
Directional	No
Tilting	No
Walk-over	No
Drive-over	No
Cable included	No
Resin potting	No
Type of light emission	Single emission
Net weight	1.82 Kg

Finishing casing	
Material	plaster
Colour	white



Downlights | 220-240 V | 1xGU10
60822

Single emission downlights for indoor application. Compatibility:, halogen
35 W; lamp cap 1xGU10.

The device body is made of plaster and features a white finish. The
ingress protection degree is IP40; the total weight is of 1.82 kg.

The device features protection class II and can be ceiling-mounted, with
a 240 x 240 mm hole (in plasterboard).

Illuminotechnical Features	
Luminous flux (source)	230 lm
Colour temperature	2700 K
Colour rendering index	100 Ra



Gypsum_O2 | Downlights | Accessories
60822



Thick - KIT thicknesses for installation on plasterboard

Code
60830