

20-2164-G8-55

V0

SIR DAVENPORT Pendant



Description

Pendant for indoor use.

Structure finish: Red patine. Diffuser material: White alabaster. Warranty: 2 Years.

Finish

Red patine

Material

White alabaster



TECHNICAL CHARACTERISTICS

Light source

Lampholder: 12 x E27
Output (W): 60W
Quantity: 12

GEAR

Voltage / Frequency:
220-240V/50-60Hz

Luminaire

Warranty: 2 Years

Light source

Lampholder: 8 x E14
Output (W): 60W
Quantity: 8

Logistics

EAN Code: 8435111006818
Net Weight (Kg): 40.035
Weight in Kg (packaged): 122.000
Packing: 600 x 605 x 700
Masterbox: 1

The photograph may not match the reference exactly. Please read the product description to identify the finish.

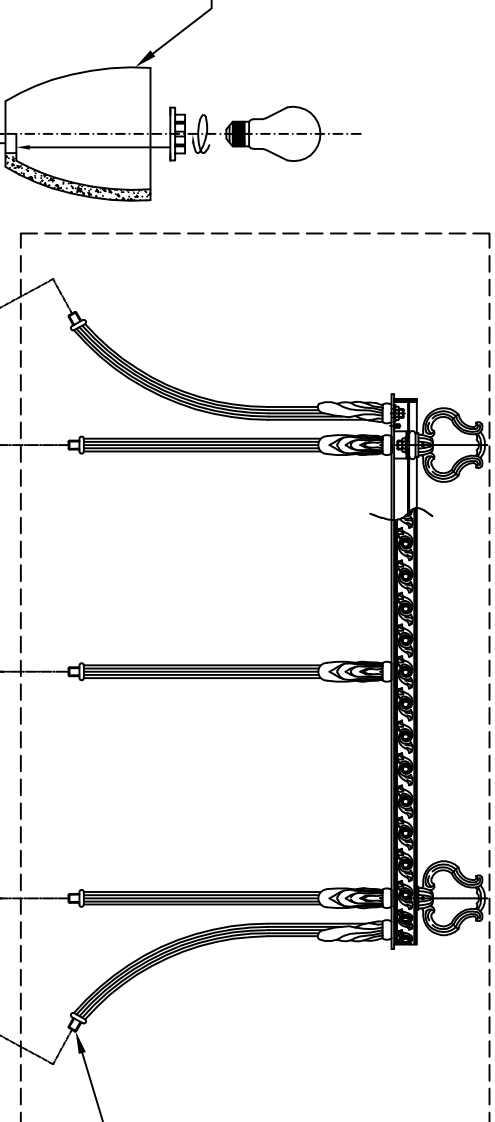
Canopies must be hung from this piece



kit 1 is composed of the canopies with its chain

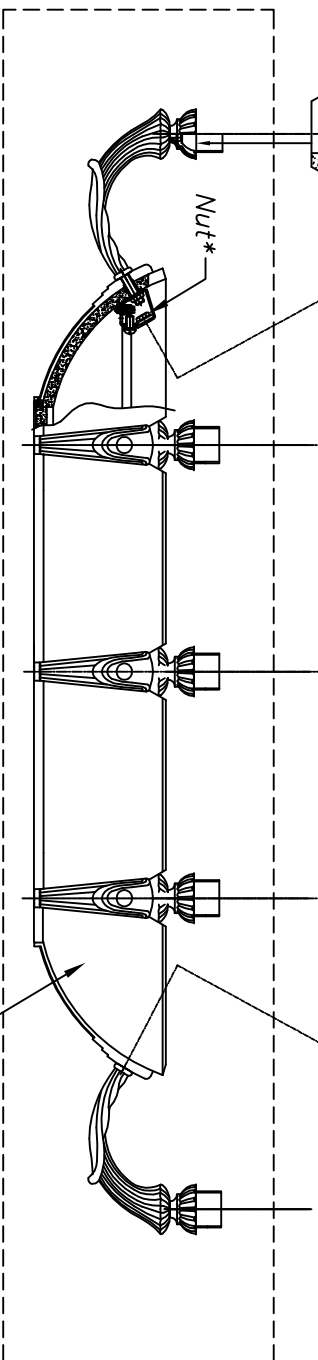
Join kit1 and kit2 by means of this piece

Assemble the lamp shades as is depicted in the drawing



kit 2

Screw all the arm nipples to the nut*



kit 3

Albaster slices must be put in the metal frame from the inner part.

The lamp is supplied as follows:

- Kit 1. Canopies
- Kit 2. Arms
- Kit 3. Body frame
- Albaster lampshades
- Albaster slices which belongs to the light body

Modificaciones		Tolerancias generales BASTID DIN-7168		Escala 1:1		Material	
⑧		Fecha		Nombre		Observaciones	
⑦		Dibujado	1-12-08	JORDI PARÉS			
⑥							
⑤		Compr.ob.		ALFONS			
④		CRITERIOS DE CONTROL					
③		Inspección Dimensional Nivel: 0					
②		Inspección Visual Nivel: 0					
①							
				CAD			
				DIN-A3			
				Denominación			
				IMC20-2164			
LEDSS							