
BuzziShade 220-240V

Product Specification Sheet

This document contains technical information about the BuzziShade Pendant and Standing



www.buzzi.space












The BuzziShade combines lit surroundings with acoustic performance.

The design prevents eavesdroppers from hearing your private conversations, and reduces external noise levels to a minimum. The BuzziShade is extremely versatile. The perfect addition to any office, waiting room or restaurant and is ideal for large-scale events. Be creative in colour by adding a layer of fabric to the BuzziFelt shades. The BuzziShade is the culmination of an artistic collaboration between BuzziSpace and the four young Belgian furniture designers of Stal Collectief.

Designed by Stal Collectief

General

-  Pendant | Standing
-  BuzziFelt cover
-  Powder coated metal frame
-  Fabric power cord
-  Input Voltage: 220 - 240V
-  Input Frequency: 50/60Hz
-  Class: 1
-  Dry usage
-  Assembled

Acoustics



Absorption

Content

| | |
|----------------------|----|
| Configurations | 3 |
| Technical components | 5 |
| Fabrics | 8 |
| Dimensions | 10 |
| Acoustics | 15 |

Configurations

BuzziShade Pendant

◆ Medium | Large

BuzziFelt cover with lace

🌲 Metal frame in black (RAL 9005), white (RAL 9010),
alu (RAL 9006) or fluorescent orange (RAL 2005)
Fabric power cord in black, red or fluorescent orange

Height: 42 cm (Medium) or 62 cm (Large)

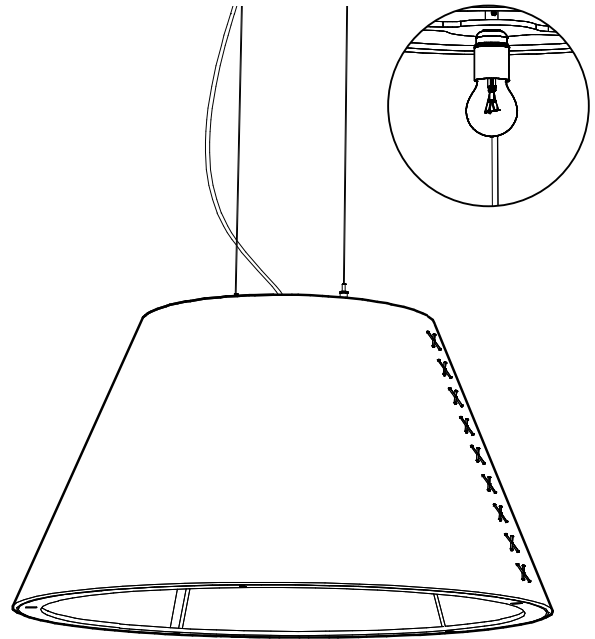
✂ Diameter: Ø 40 cm - Ø 74 cm (Medium)
Ø 59 cm - Ø 112 cm (Large)

💡 E27 Fitting (Max. 60W)
Excl. Bulb

⚖ Medium: 4 kg
Large: 8 kg

⋮ Lace: black | white | fluorescent orange
Optional extra layer Fabric | Terra | Hero
inside or outside
Black or alu cables 2 - 5 m

⚠ If installing on suspended ceiling, verify load capacity
prior to installation.



BuzziShade Pendant LED Globe

◆ Medium | Large

BuzziFelt cover with lace

🌲 Metal frame in black (RAL 9005), white (RAL 9010),
alu (RAL 9006) or fluorescent orange (RAL 2005)
Fabric power cord in black

Height: 42 cm (Medium) or 62 cm (Large)

✂ Diameter: Ø 40 cm - Ø 74 cm (Medium)
Ø 59 cm - Ø 112 cm (Large)

Wattage: 19W

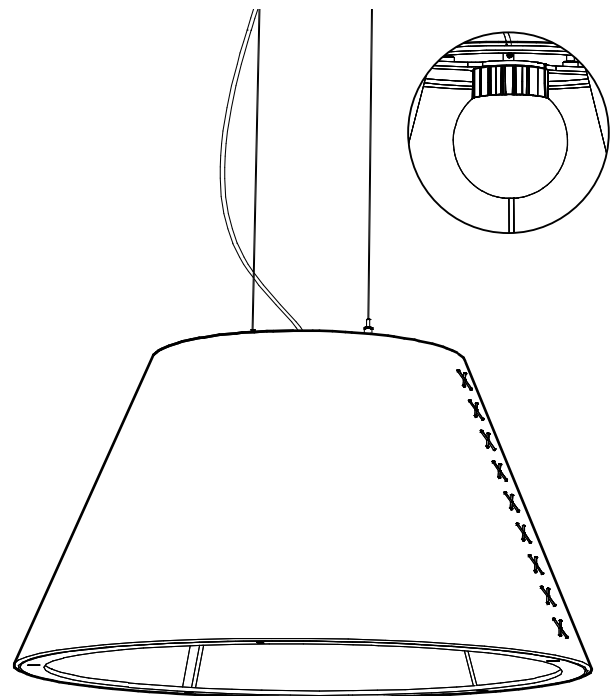
LED source incl. Glass globe

💡 Lumen Output: 1500 lumen
Color Temperature: 3000K
Color Rendering Index: 90
Dimmable: 1-10V Protocol

⚖ Medium: 6 kg
Large: 10 kg

⋮ Lace: black | white | fluorescent orange
Optional extra layer Fabric | Terra | Hero
inside or outside
Black or alu cables 2 - 5 m

⚠ If installing on suspended ceiling, verify load capacity
prior to installation



BuzziShade Standing

BuzziFelt cover with lace

Metal frame in black (RAL 9005), white (RAL 9010),
alu (RAL 9006) or fluorescent orange (RAL 2005)

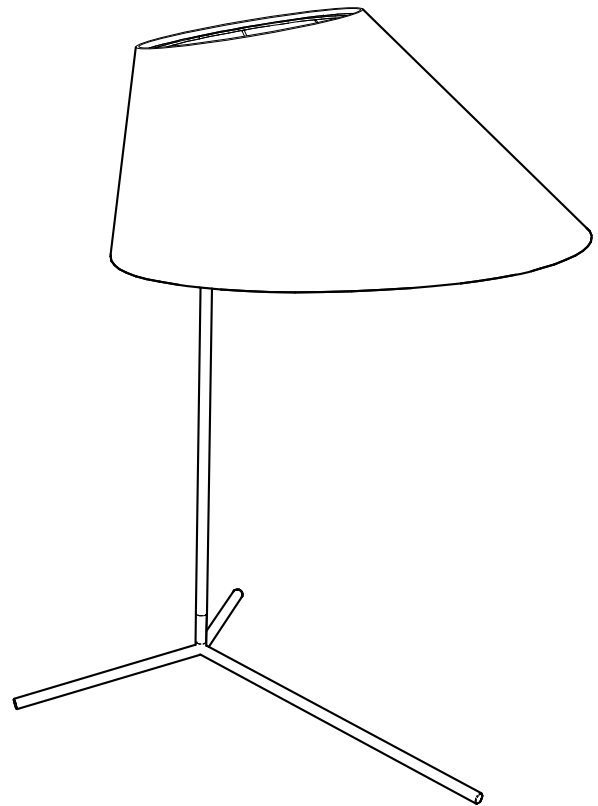
🌲 Fabric power cord in black, red or fluorescent orange
Black footswitch

✂ Height: 222 cm
✂ Diameter: Ø 69 cm - 144 cm

💡 E27 Fitting (Max. 60W)
Excl. Bulb

⚖ 18 kg

⋯ Lace: black | white | fluorescent orange



Technical components

BuzziShade Pendant

Ceiling canopy

Powder coated metal canopy in black (RAL 9005) or white (RAL 2010)

Including mounting bracket

Height: 2,6 cm

Diameter: 12 cm



Frame

Metal frame available in following colors:

| | | |
|---------------------|--|-------------------|
| Powder coated white | | RAL 9010 |
| Powder coated black | | RAL 9005 |
| Fluorescent orange | | RAL 2005 |
| Alu | | not powder coated |



Fitting | Power cord

E27 fitting

Fabric power cord

| Color frame | Color fitting | Color fabric power cord | Color Ceiling Canopy |
|--------------------|---------------|-------------------------|----------------------|
| black | black | black | black |
| white | white | red | white |
| fluorescent orange | black | fluorescent orange | black |
| alu | black | black | black |



Technical components

BuzziShade Pendant LED

Ceiling canopy

Powder coated metal canopy in black (RAL 9005)

Including mounting bracket

Width: 14 cm

Length: 28 cm

Height: 4 cm

Frame

Metal frame available in following colors:

Powder coated white | RAL 9010

Powder coated black | RAL 9005

Fluorescent orange | RAL 2005

Alu | not powder coated



Light source

LED light source with powder coated metal heat sink and ceiling canopy in black (RAL 9005) finished with a frosted glass sphere.

Height: 20 cm

Width: Ø 15 cm



BuzziShade Standing

Frame

Metal frame available in following colors:

Powder coated white | RAL 9010

Powder coated black | RAL 9005

Fluorescent orange | RAL 2005



Fitting | Power cord

Black bakelite fitting E27 fitting

Fabric power cord

| Color frame | Color fitting | Color fabric power cord |
|--------------------|---------------|-------------------------|
| black | black | black |
| white | white | red |
| fluorescent orange | black | fluorescent orange |

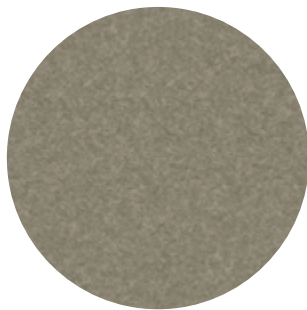
Power cord has a length of 250 cm finished with a plug and footswitch.

Power switch

Black footswitch

Fabrics

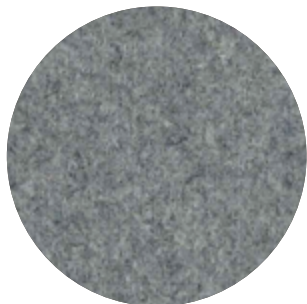
Felt



Composition 100% Recycled PE.T. Felt, latex backing
Weight 1.000 g/m² | 29.49 oz/yd²
Abrasion resistance >7.000 Martindale
Flammability EU: EN 13501.1 + A1/2009 Class B-s1,d0
USA: ASTM E84 Class A certified
Fastness to light USA 5



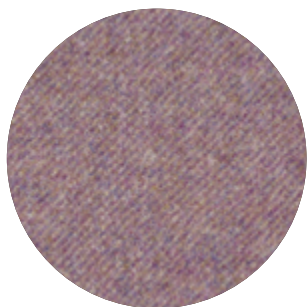
Fabric



Category A
Composition 70% Recycled Wool, 25% Recycled Polyacryl,
5% Recycled Other Fabrics
Weight 405 g/m² | 11.94 oz/yd²
Abrasion resistance 40.000 Martindale, 50,000 Wyzenbeek
Flammability EU: EN 1021.1/2006 | BS EN 1021.1/2006 (cigarette).
EN 1021.2/2006 | BS EN 1021.2/2006 (match)
USA: CAL TB 117 | ASTM E84 CLASS A
Fastness to light EU 4 | USA 4
Fastness to rubbing EU: Wet 3-4 | Dry 4-5
Fastness to crocking USA: Wet 5 | Dry 5



Terra

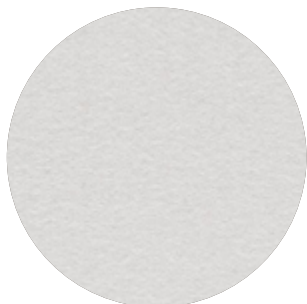


Category B
Composition 100% Pure New Wool
Weight 370 g/m² | 10.91 oz/yd²
Abrasion resistance 40.000 Martindale, 25,000 Wyzenbeek
Flammability EU: BS5852 CRIB 5 | BS5867 PART 2 : 2008 : TYPE B
EN 1021.2/2006 | USA: CAL TB 117
Fastness to light EU 5 | USA 5
Fastness to rubbing EU: Wet 4 | Dry 4
Fastness to crocking USA: Wet 4 | Dry 4



Hero

kvadrat



Category C
Composition 96% new wool, 4% nylon
Weight 580 g/lin.m
Abrasion resistance 45.000 Martindale rubs, EN ISO 12947
Flammability EN 1021-1/2 | DIN 4102 B2 | NF D 60 013
UNI 9175 1IM | US Cal. Bull. 117-2013 | NFPA 260
IMO A.652 (16)
Fastness to light Note 5-6, ISO 105-B02
Fastness to rubbing (ISO) dry 4-5, wet 4-5
Pilling Note 3-4, EN ISO 12945



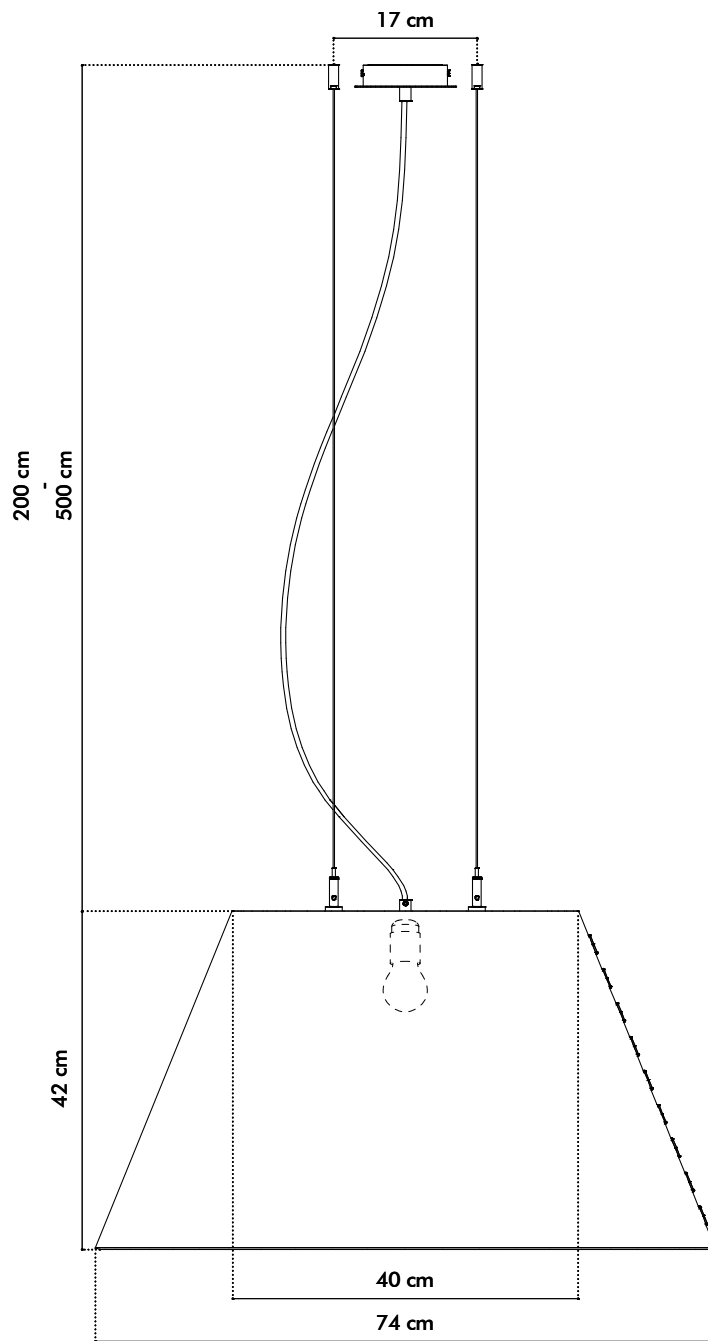
Lace

Lace black | white | fluorescent orange

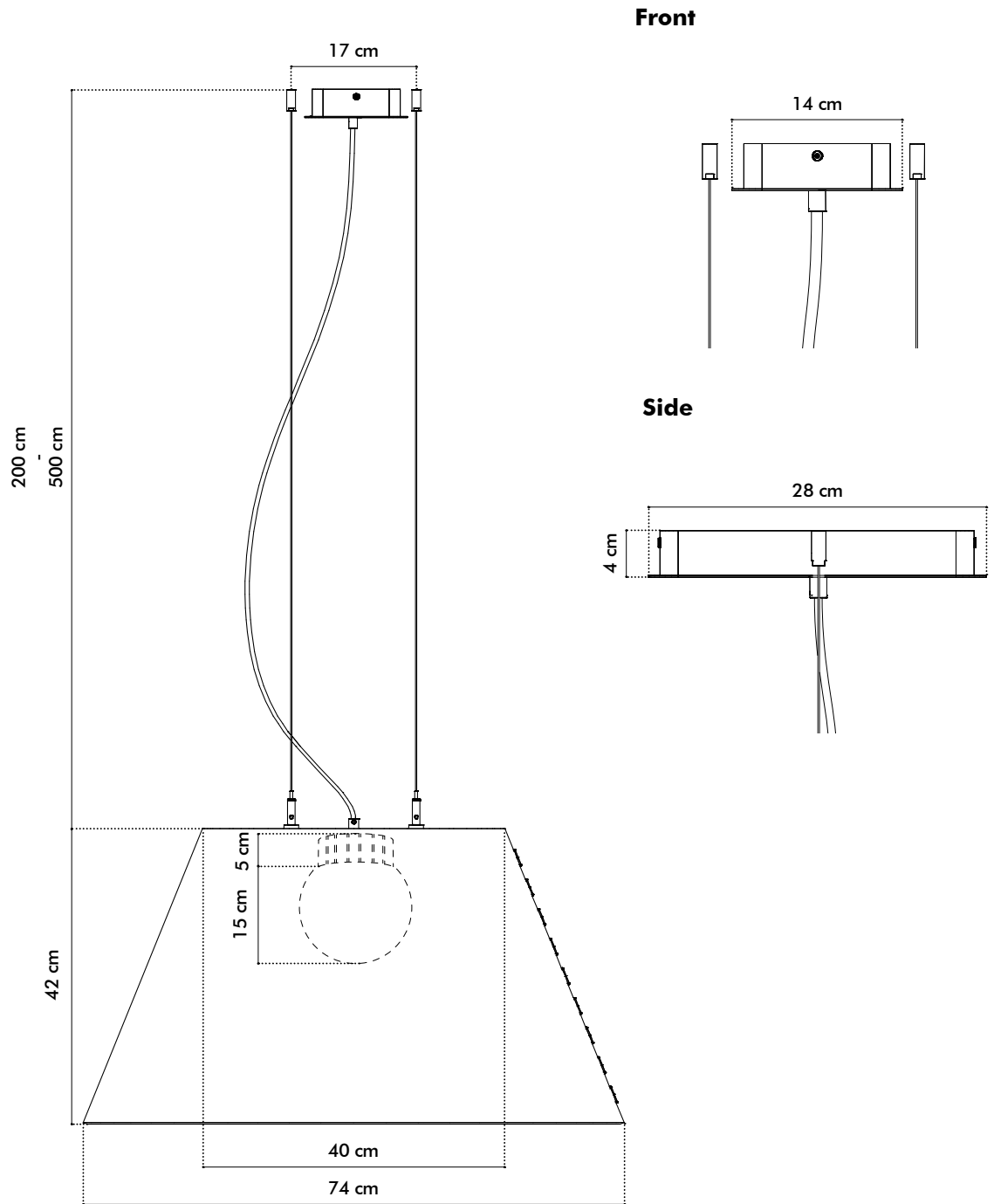


Dimensions

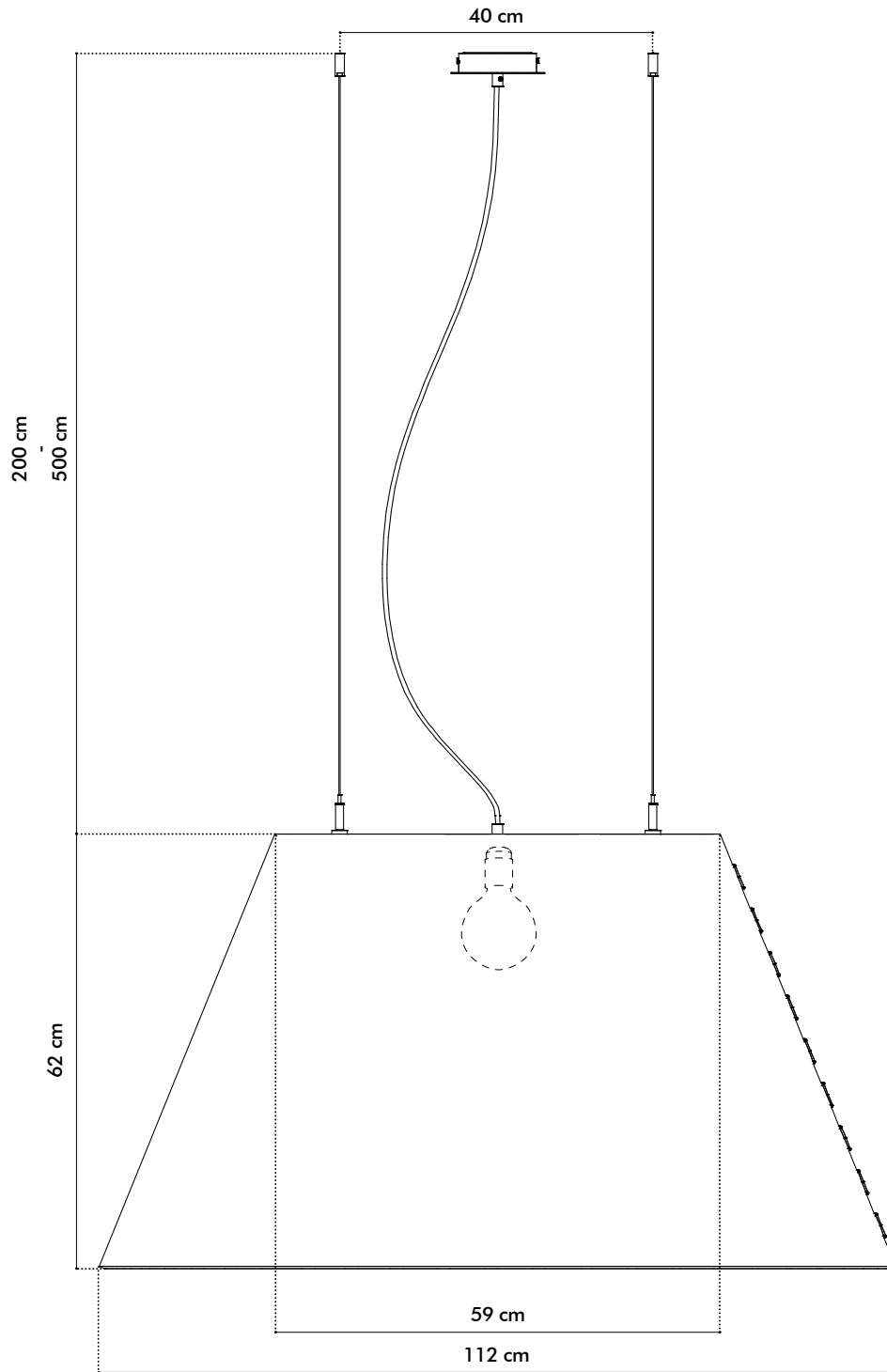
BuzziShade Pendant Medium



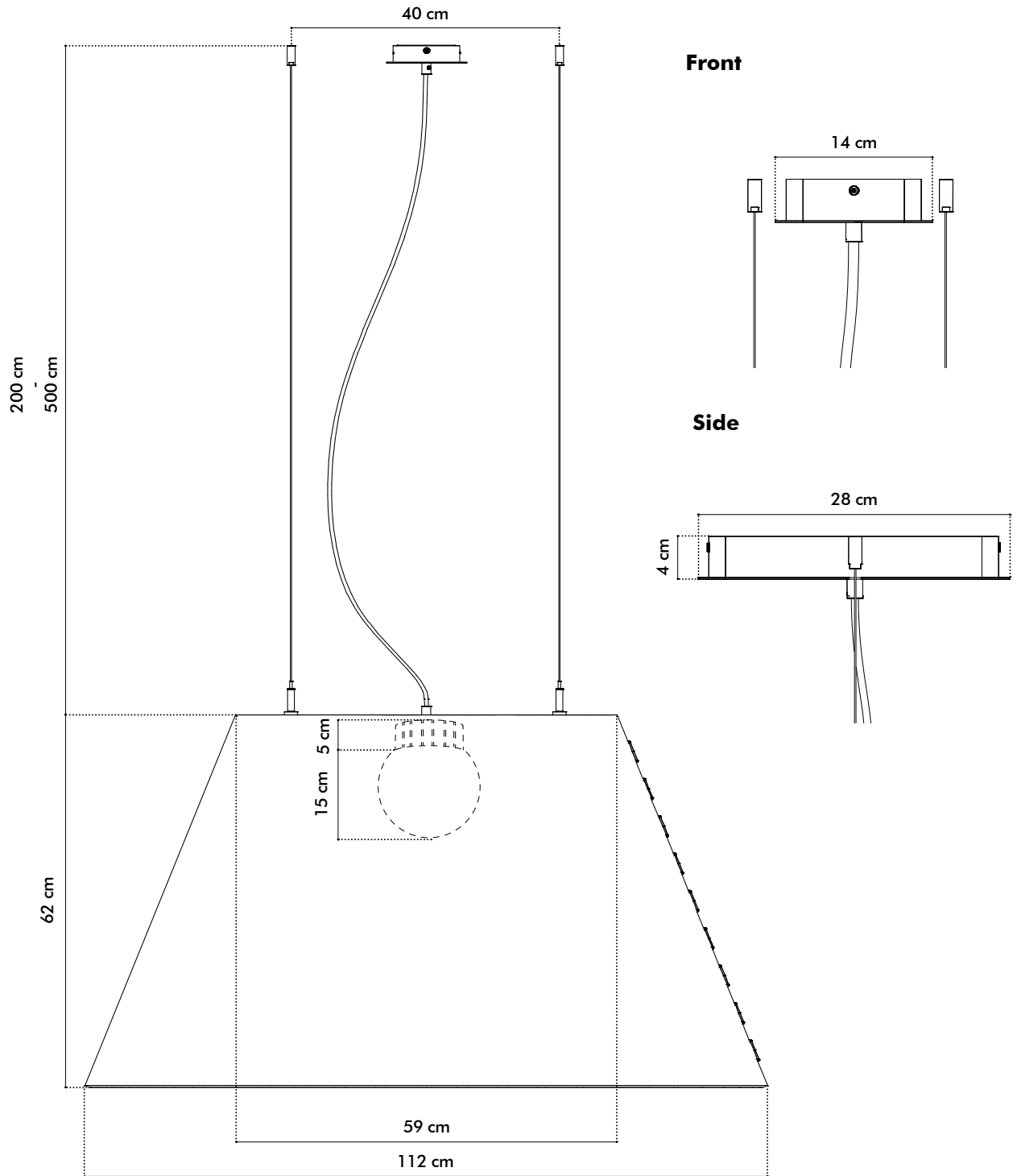
BuzziShade Pendant LED Medium



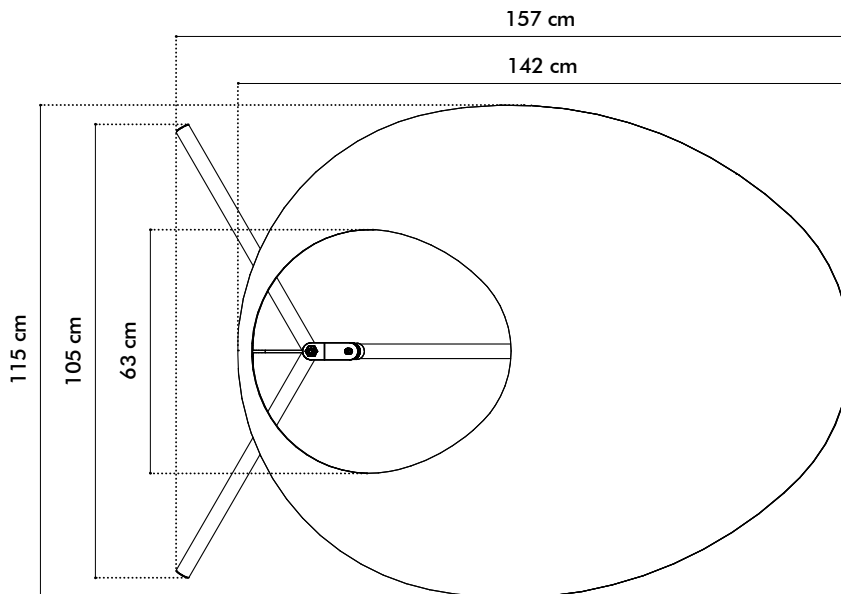
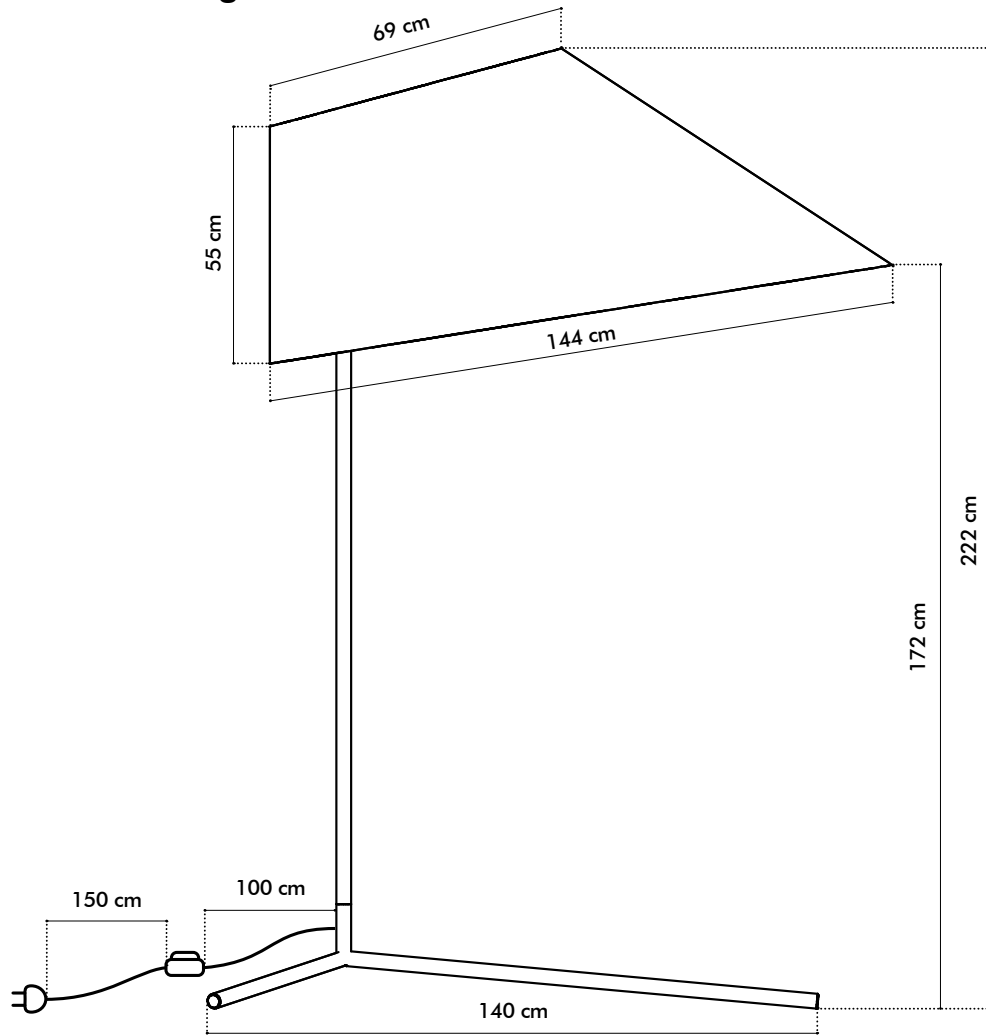
BuzziShade Pendant Large



BuzziShade Pendant LED Large



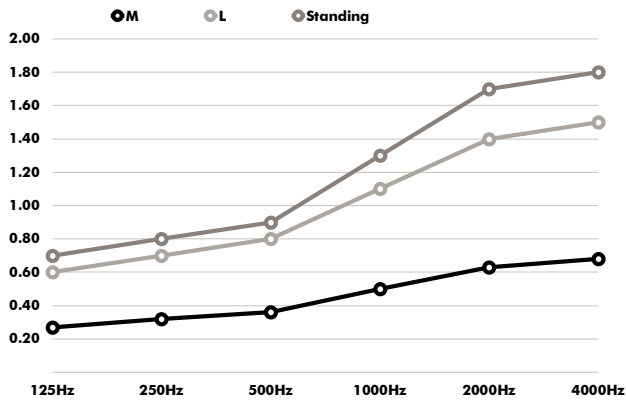
BuzziShade Standing



Acoustics

BuzziShade

Equivalent sound absorption area in m² per object



| Hz | Shade M Aeq/m ² | Shade L Aeq/m ² | Shade Standing Aeq/m ² |
|------|----------------------------|----------------------------|-----------------------------------|
| 125 | 0.27 | 0.60 | 0.70 |
| 250 | 0.32 | 0.70 | 0.80 |
| 500 | 0.36 | 0.80 | 0.90 |
| 1000 | 0.50 | 1.10 | 1.30 |
| 2000 | 0.63 | 1.40 | 1.70 |
| 4000 | 0.68 | 1.50 | 1.80 |