

- PENDANTS: one
- MOUNTING: white powder coated metal mounting plate 115mm (4.5") in diameter
- LAMPING: 1.5w LED or 10w xenon
- INSTALLATION: strain relief (pendant length site adjustable)
- MATERIALS: cast glass, electrical components, white powder-coated steel mounting plate
- WEIGHT: approximately 1kg (2lb)
- TRANSFORMERS: integral (fixture does not hook directly to a junction box).

#### DESCRIPTION

The 'sp' designation in this variation on the 14 refers to it being surface-mounted, with a mounting plate large enough to cover a standard North American junction box. This surface light has a paintable 115mm (4.5") in diameter mounting plate designed to be mounted on walls as well as ceilings. It is also IP65 designated meaning that the 14sp can be used outdoors and in other wet environments.

The 14sp is an articulated, seamed cast glass hemisphere with a frosted cylindrical void that houses a low voltage lamp. Individual pendants are visually quite subtle, but gain tremendous strength when multiplied and clustered in large groups.

#### NOTES

- + Purchase replacement lamps online at [www.bocci.ca/lamps](http://www.bocci.ca/lamps)
- + Unless otherwise noted when ordering, all chandeliers will be outfitted to be xenon compatible.
- + Unless otherwise specified, a single class 2 transformer will be sent for every 5 xenon fixtures or every 12 LED fixtures

US Patent # D556, 361  
EU Patent # 000518394-0001

Made in Vancouver, Canada

Vancouver  
sales@bocci.ca  
www.bocci.ca

Berlin  
europe@bocci.ca  
www.bocci.ca

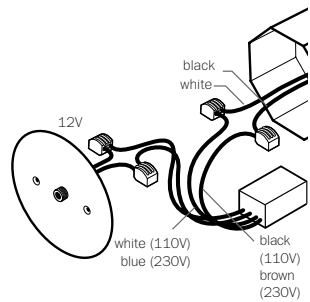
approx 0.7kg (1.5lb)



SURFACE LIGHT - PAINTABLE LARGE PLATE

# 14sp

Design by Omer Arbel  
PRODUCT SPECIFICATION



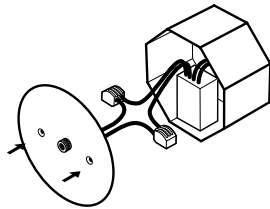
1

Directly mounted to a junction box.

Note: Up to 5 surface mounted lights may be connected to a single transformer.

Xenon (110V) or LED: connect the black wire to black and white wire to white wire.

Xenon (230V): connect black wire to brown wire and white wire to blue wire.

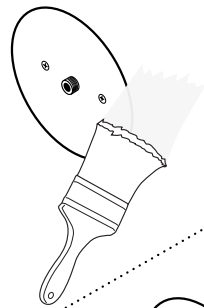


2

Join transformer wiring to cover plate wiring using connectors provided.

Tuck wiring into wall opening and affix the back plate with fasteners provided.

DRY LOCATION



Bocci 10w xenon or 1.8w LED

3

For dry location, paint over the back plate to match the wall finish.

Bocci LED or xenon lamps included.

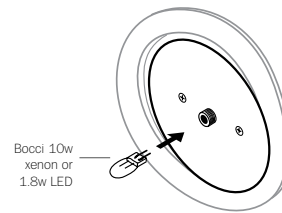
Plug the lamp into the socket.

Do not touch the lamp with your bare hands.

Purchase replacement lamps online at [www.bocci.ca/lamps](http://www.bocci.ca/lamps)

Note: when using a dimmer use only low voltage electronic dimmers to ensure the fixture works properly.

WET LOCATION



Bocci 10w xenon or 1.8w LED

silicone gasket

4

For wet location, install the silicone ring by slightly stretching it to fit around the back plate.

Install silicone gasket over the nut attached to the pendant.

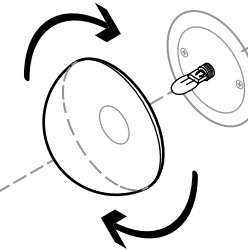
Bocci LED or xenon lamps included.

Plug the lamp into the socket.

Do not touch the lamp with your bare hands.

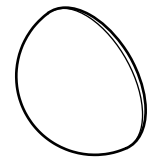
Purchase replacement lamps online at [www.bocci.ca/lamps](http://www.bocci.ca/lamps)

Note: when using a dimmer use only low voltage electronic dimmers to ensure the fixture works properly.



5

Gently thread cast glass hemisphere onto cover plate. Do not tighten past the point of contact.



6

Clean fingerprints from glass surfaces.

Turn fixture on.

For additional assistance, please contact Bocci:

Vancouver  
sales@bocci.ca  
[www.bocci.ca](http://www.bocci.ca)

Berlin  
europe@bocci.ca  
[www.bocci.ca](http://www.bocci.ca)

US Patent # D556, 361  
EU Patent # 000518394-0001

Made in Vancouver, Canada



LOW VOLTAGE LUMINAIRE  
E476186

SURFACE LIGHT - PAINTABLE LARGE PLATE

14sp

Design by Omer Arbel  
PRODUCT INSTALLATION INSTRUCTIONS

© 2018, Bocci Design and Manufacturing Inc. All rights reserved. Any inquiries should be directed to: [info@bocci.ca](mailto:info@bocci.ca)

**BOCCI**