

HELLO Pendant

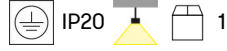
Designer: Josep Patsí

00-5958-BW-M1 V0



Finish
Matt white
Matt opal

Material
Polyurethane
Steel
Methacrylate



TECHNICAL CHARACTERISTICS

Light source

Light source: LED REFOND
Output (W): 33.5W
Total power consumption (W): 38.4W
Color temperature: Warm White - 2700K
CRI: 80
Real Lumen: 2066
Nominal Lumen: 3450
Qty Leds: 384
Lm/Real W: 63
Life Time: 36.000h L70B30
Bin / Grup: 27K
MacAdam steps: 3
UGR: 10.3
Photobiological risk: RG0

GEAR

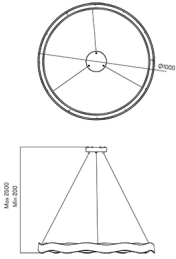
Brand: MEANWELL
Gear included: Yes, electronic
Voltage / Frequency:
200-240VAC/50-60Hz
Power Factor: 0.95
Dimming protocol: Phase cut

Luminaire

Warranty: 5 Years

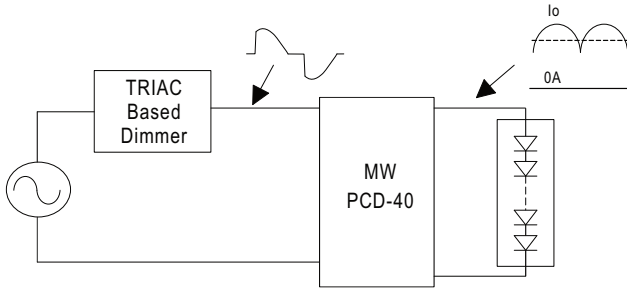
Logistics

Energy Efficiency: LED A++
EAN Code: 8435381462758
Net Weight (Kg): 7.200
Weight in Kg (packaged): 11.400
Packing: 1150 x 1150 x 190
Masterbox: 1



■ AC Dimming Operation

⊙ The following diagram depicts a typical installation utilizing the PCD-40 :

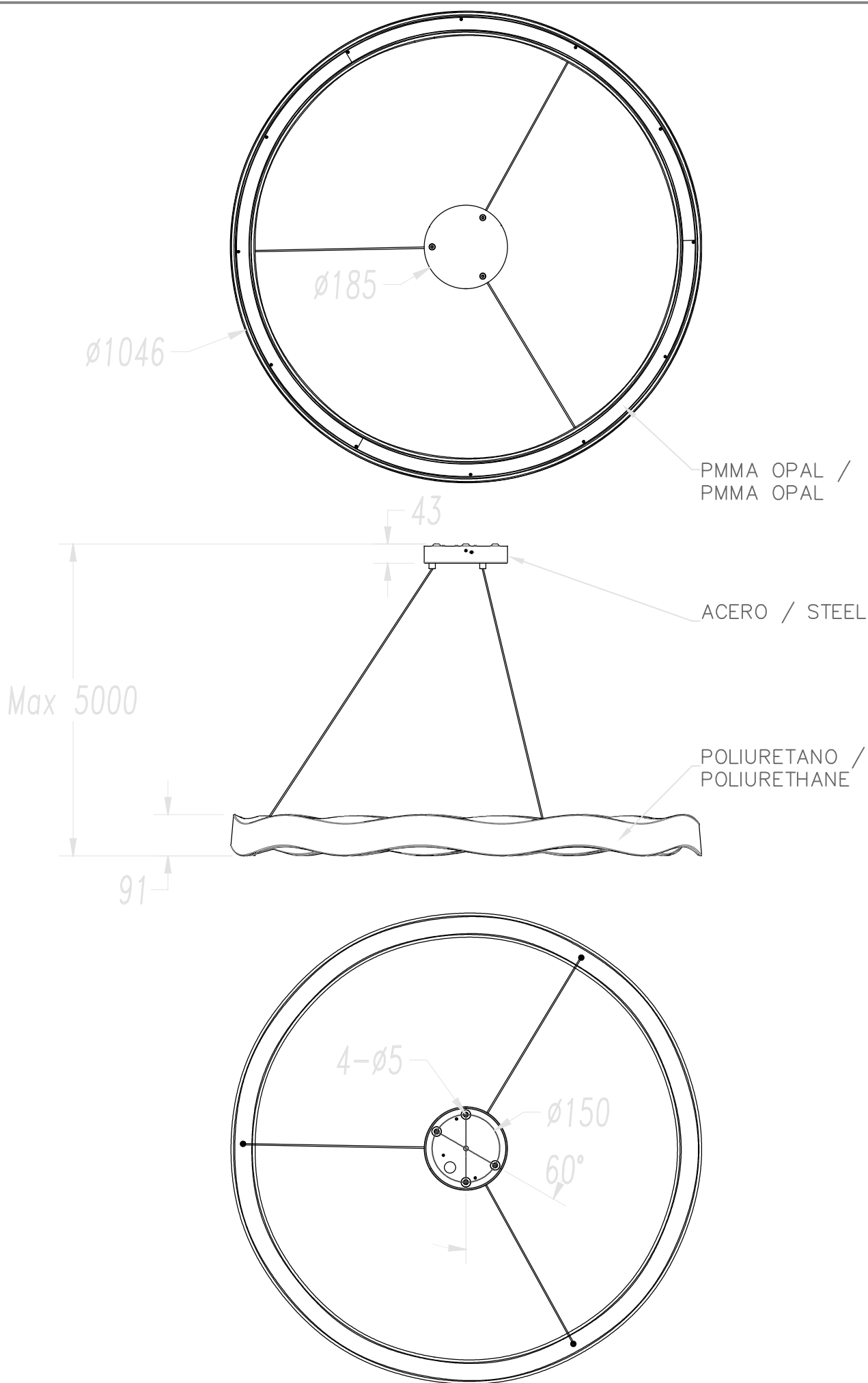


Under direct driving, the power supply will work in "constant current mode (CC)" and output voltage of the power supply will be clamped by sum of forward voltage (V_f) of the LED strip.

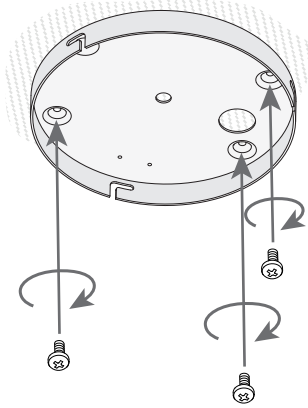
⊙ Dimmer Compatibility Chart

Manufacturer	Dimmer Model	
LUTRON	SKYLARK SF-12P-277	(277VAC / 60Hz)
LUTRON	DVF-103P-277	(277VAC / 60Hz)
JUNG	Licht-Management 225 TDE	(230VAC / 50Hz)
JUNG	Licht-Management 225 NV DE	(230VAC / 50Hz)
BERKER	Tronic-Drehdimmer 286710	(230-240VAC / 50Hz)
CLIPSAL	32E450UDM	(220-240VAC / 50Hz)
CLIPSAL	NO 32E450TM	(220-240VAC / 50Hz)
CLIPSAL	NO 32E450LM	(220-240VAC / 50Hz)
CLIPSAL	Cat 400T	(230-240VAC / 50Hz)

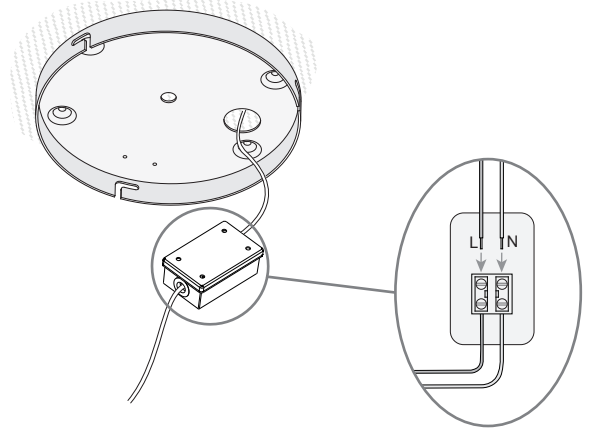
Conduction angle: 30 degrees(min.) / 180 degrees(max.)



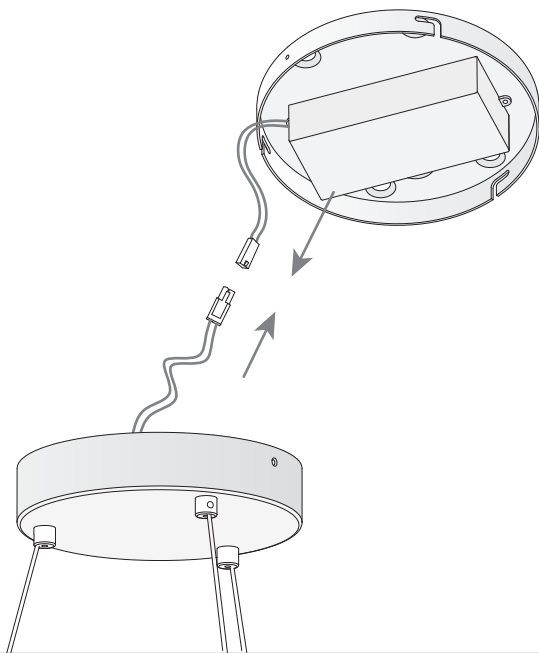
1



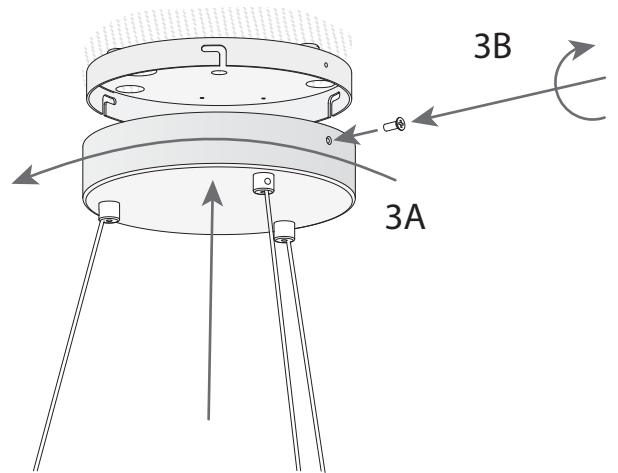
2



3



4



5

