

ALIVE Pendant

Designer: Francesc Vilaró

00-5291-BW-BW V0



Finish
Matt white
Tinted

Material
Aluminium
Steel
Methacrylate



TECHNICAL CHARACTERISTICS

Light source

Light source: LED CREE
Output (W): 35W
Color temperature: Warm White - 2700K
CRI: 80
Nominal Lumen: 3060
Qty Leds: 5
Bin / Grup: 27H
Photobiological risk: RG1

GEAR

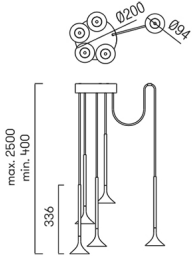
Brand: HEP
Gear included: Yes, electronic
Voltage / Frequency:
100-240VAC/50-60Hz

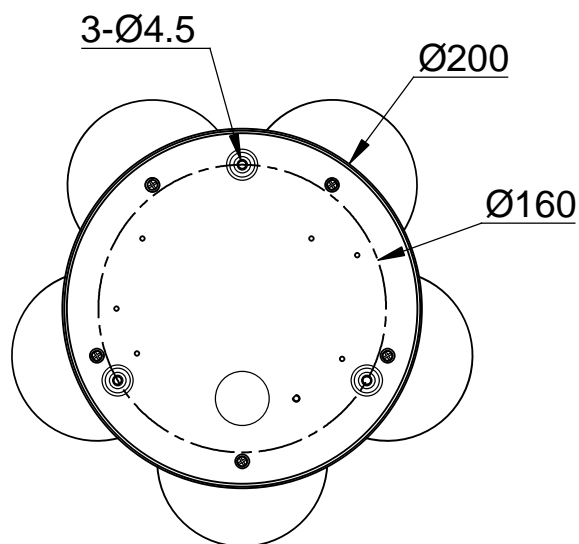
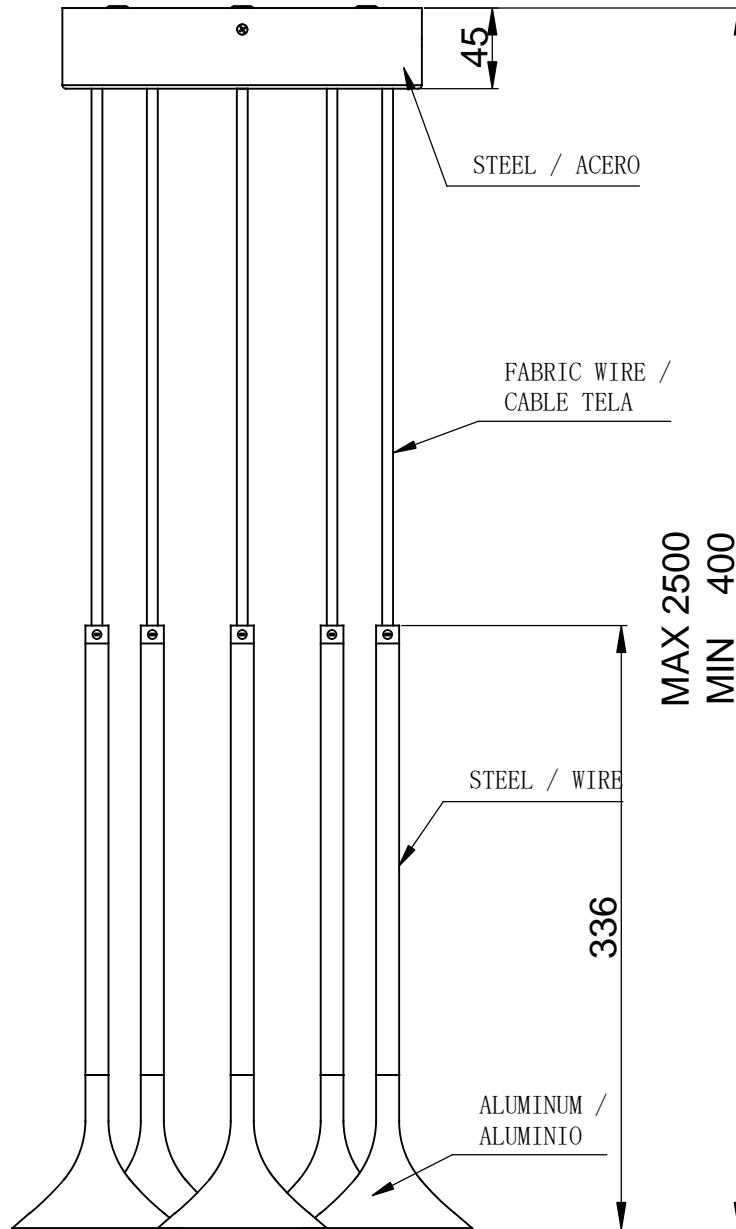
Luminaire

Warranty: 5 Years

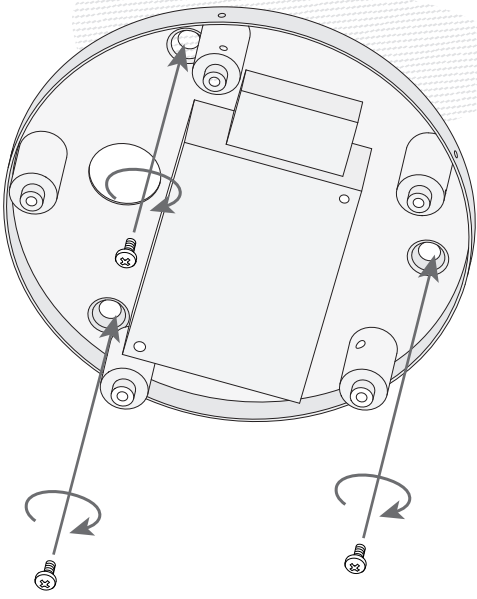
Logistics

Energy Efficiency: LED A++
EAN Code: 8435381449261
Net Weight (Kg): 3.020
Weight in Kg (packaged): 4.954
Packing: 420 x 400 x 240
Masterbox: 4

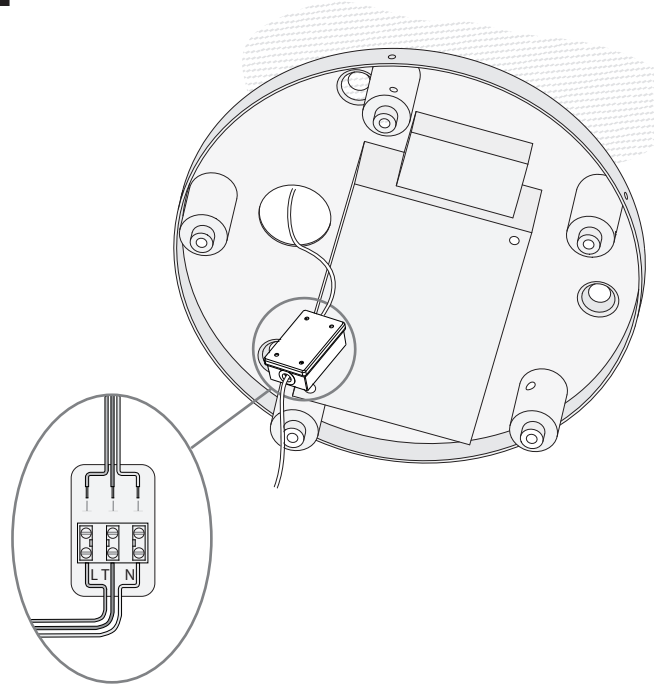




1



2



3



4

