

## HELLO Pendant

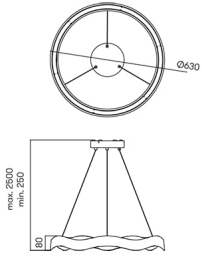
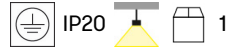
Designer: Josep Patsí

00-5275-CT-M1 V0



**Finish**  
Painted rust  
Opal

**Material**  
Polyurethane  
Steel  
Methacrylate



### TECHNICAL CHARACTERISTICS

#### Light source

Light source: LED REFOND  
Output (W): 24,3W  
Total power consumption (W): 28.3W  
Color temperature: Warm White - 2700K  
CRI: 80  
Real Lumen: 910  
Nominal Lumen: 2300  
Qty Leds: 288  
Lm/Real W: 38  
Bin / Grup: 27K  
UGR: 10.4  
Photobiological risk: RG0

#### GEAR

Brand: MEANWELL  
Gear included: Yes, electronic  
Voltage / Frequency:  
200-277VAC/50-60Hz  
Power Factor: 0.93  
Dimming protocol: Mains dimming (LC)

#### Luminaire

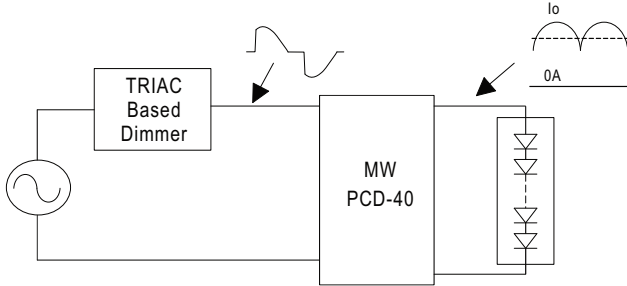
Warranty: 5 Years

#### Logistics

Energy Efficiency: LED A++  
EAN Code: 8435381440848  
Net Weight (Kg): 3.050  
Weight in Kg (packaged): 4.805  
Packing: 755 x 185 x 755  
Masterbox: 1

**AC Dimming Operation**

⊙ The following diagram depicts a typical installation utilizing the PCD-40 :

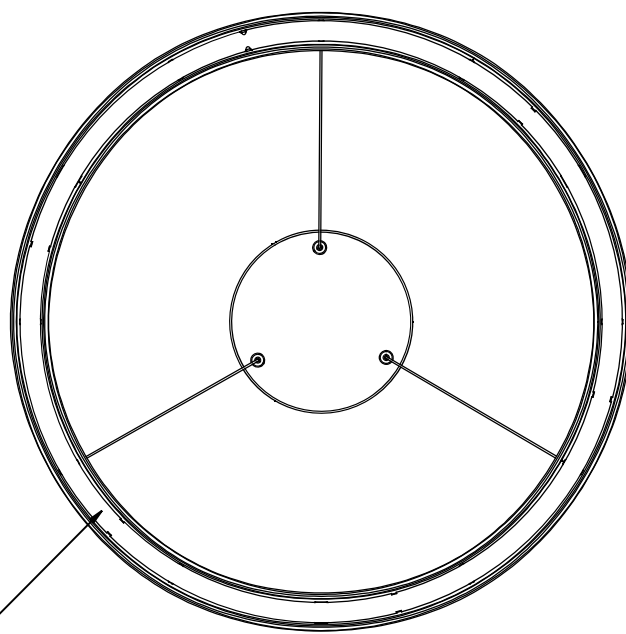


Under direct driving, the power supply will work in "constant current mode (CC)" and output voltage of the power supply will be clamped by sum of forward voltage ( $V_f$ ) of the LED strip.

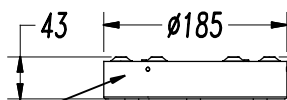
⊙ Dimmer Compatibility Chart

Manufacturer	Dimmer Model	
LUTRON	SKYLARK SF-12P-277	(277VAC / 60Hz)
LUTRON	DVF-103P-277	(277VAC / 60Hz)
JUNG	Licht-Management 225 TDE	(230VAC / 50Hz)
JUNG	Licht-Management 225 NV DE	(230VAC / 50Hz)
BERKER	Tronic-Drehdimmer 286710	(230-240VAC / 50Hz)
CLIPSAL	32E450UDM	(220-240VAC / 50Hz)
CLIPSAL	NO 32E450TM	(220-240VAC / 50Hz)
CLIPSAL	NO 32E450LM	(220-240VAC / 50Hz)
CLIPSAL	Cat 400T	(230-240VAC / 50Hz)

Conduction angle: 30 degrees(min.) / 180 degrees(max.)



OPAL OMMA /  
PMMA OPAL

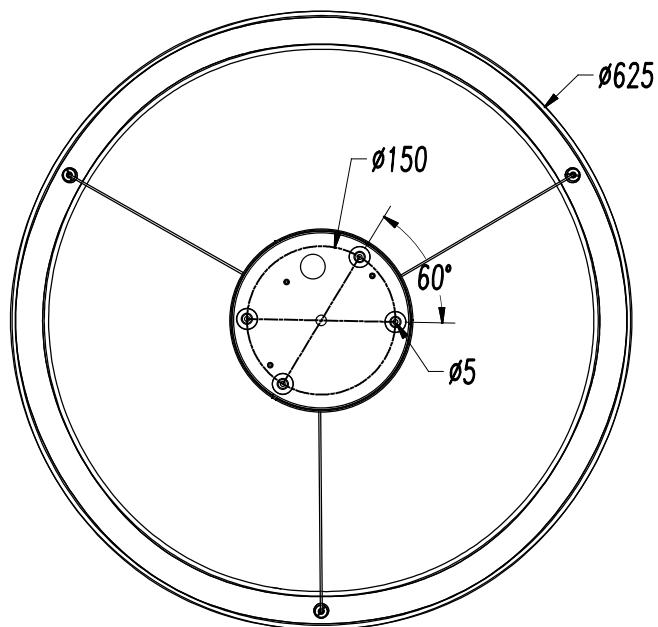
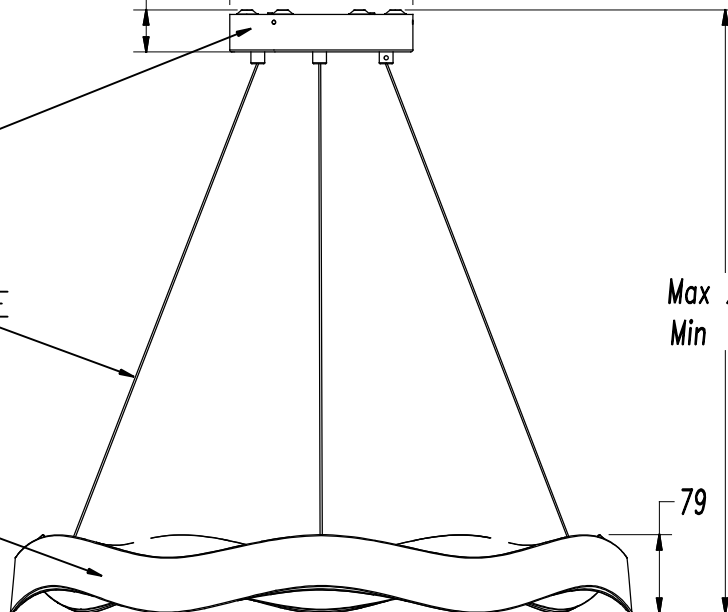


STEEL / ACERO

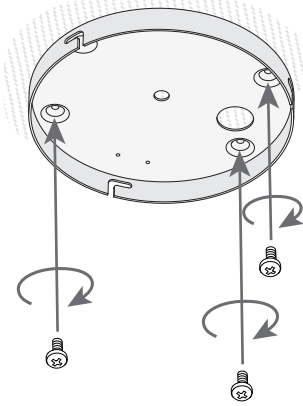
TRANSPARENT WIRE /  
CABLE TRANSPARENTE

Max 2500  
Min 250

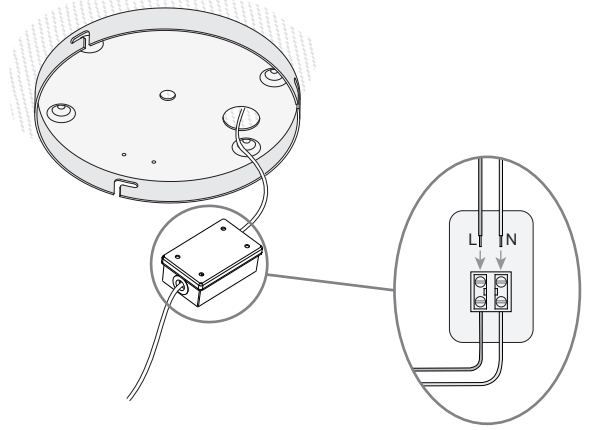
POLIURETANE /  
POLIURETANO



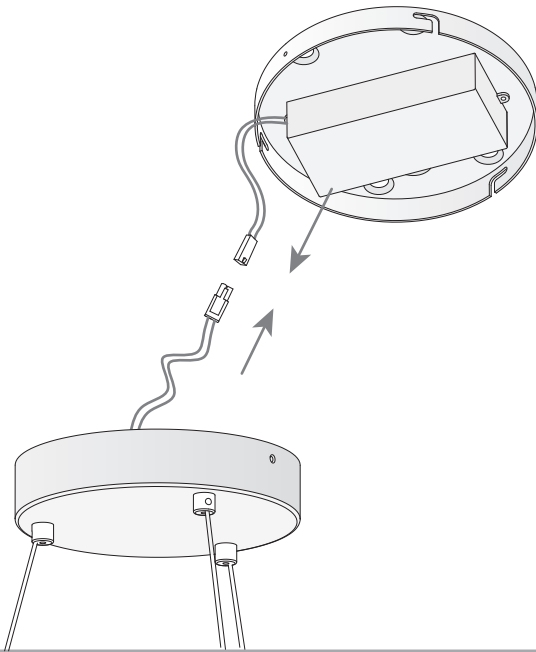
1



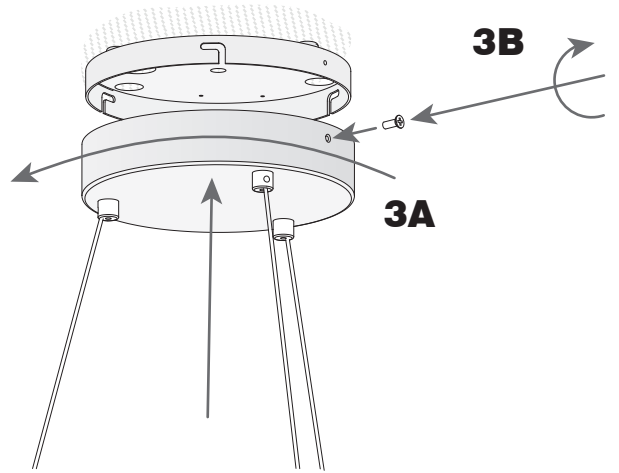
2



3



4



5

