

UMBRELLA Pendant

Designer: WIS Design

00-2726-AP-05 v0

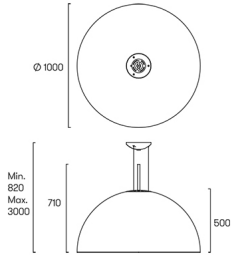
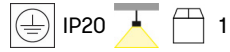


Finish

Golden
Black lacquered
Tinted
Golden

Material

Steel
Methacrylate
Glass
Fabric shade



TECHNICAL CHARACTERISTICS

Light source

Lampholder: 3 x E27
Output (W): MAX 23W
Total power consumption (W): 69
Lamp maximum dimension: 150/60 mm
Real Lumen: 1152
Quantity: 3
Lm/Real W: 17
UGR: 9.3

GEAR

Voltage / Frequency:
220-240V/50-60Hz

Luminaire

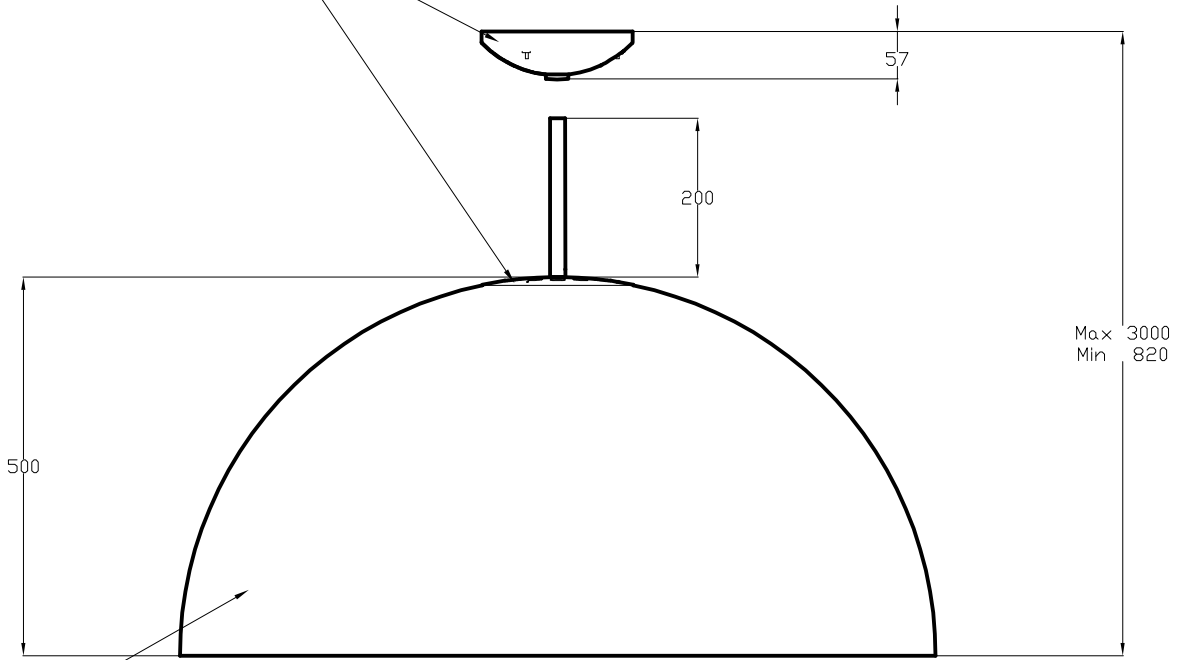
Warranty: 5 Years

Logistics

Energy Efficiency: NO BULB
EAN Code: 8435111059166
Net Weight (Kg): 10.000
Weight in Kg (packaged): 20.400
Packing: 1130 x 1130 x 780
Masterbox: 1

The photograph may not match the reference exactly. Please read the product description to identify the finish.

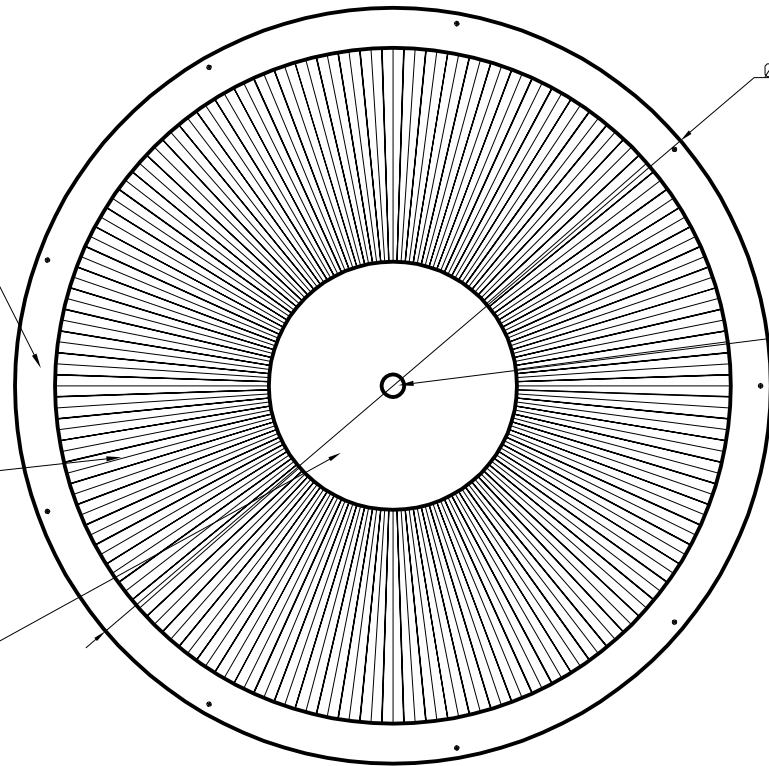
IRON / HIERRO



METRACRILATE /
METRACRILATO

FABRIC & PVC /
TELA I PVC

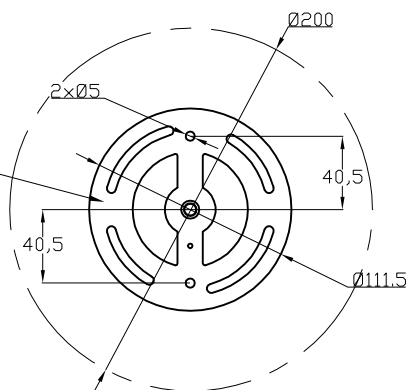
OPTIC GLASS /
CRISTAL ÓPTICO



$\varnothing 1000$

LATÓN / BRASS

IRON / HIERRO



$\varnothing 200$

$2 \times \varnothing 5$

$40,5$

$40,5$

$\varnothing 111.5$

