

## RINGOFIRE Pendant

Designer: Francesc Vilaró

00-0053-05-BW V0



**Finish**  
Matt white  
Black

**Material**  
Steel  
Polyurethane



### TECHNICAL CHARACTERISTICS

#### Light source

Light source: LED REFOND  
Output (W): 19.2 W  
Total power consumption (W): 23.6 W  
Color temperature: Warm White - 3000K  
CRI: 80  
Real Lumen: 717  
Nominal Lumen: 1380  
Qty Leds: 192  
Lm/Real W: 38  
Bin / Grup: 30K  
UGR: 11.5  
Photobiological risk: RG0

#### GEAR

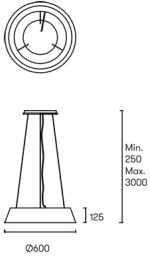
Brand: MEAN WELL  
Gear included: Yes, electronic  
Voltage / Frequency:  
100-240VAC/50-60Hz  
Power Factor: 0.47

#### Luminaire

Warranty: 5 Years

#### Logistics

Energy Efficiency: LED A++  
EAN Code: 8435381406967  
Net Weight (Kg): 5.110  
Weight in Kg (packaged): 6.725  
Packing: 690 x 220 x 700  
Masterbox: 1



The photograph may not match the reference exactly. Please read the product description to identify the finish.

## OPTIONAL ACCESSORIES

---



### **71-0053-BW-BW**

Accessory with lamp holder GU10 Ø111mm

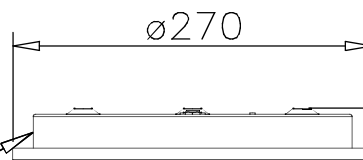
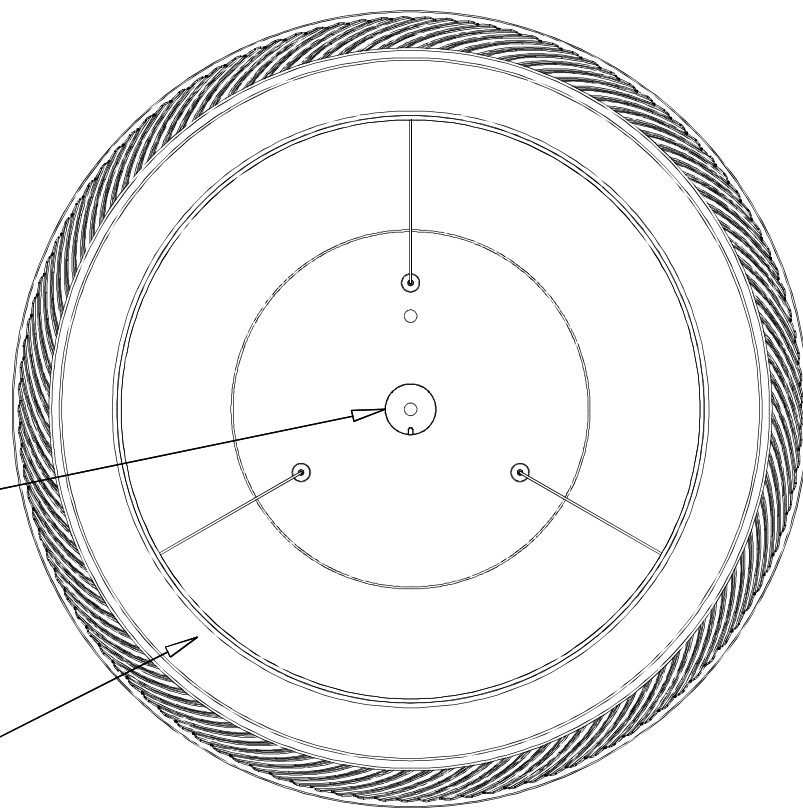
Structure material: Steel  
Dimensions: 100 x x 3000  
Net Weight (Kg): 0.295

BRASS MATT WHITE /  
LATÓN BLANCO MATE

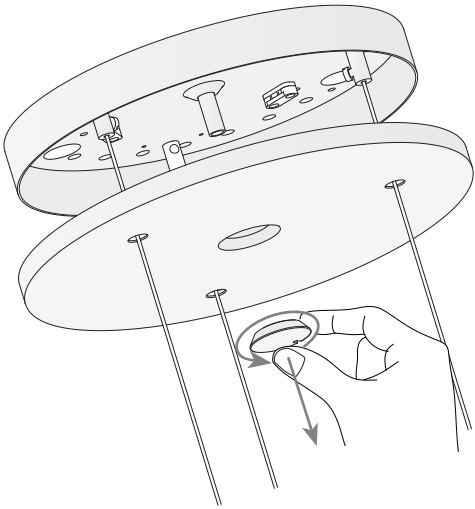
IRON MATT BLACK /  
ACERO NEGRO MATE

IRON MATT WHITE /  
ACERO BLANCO MATE

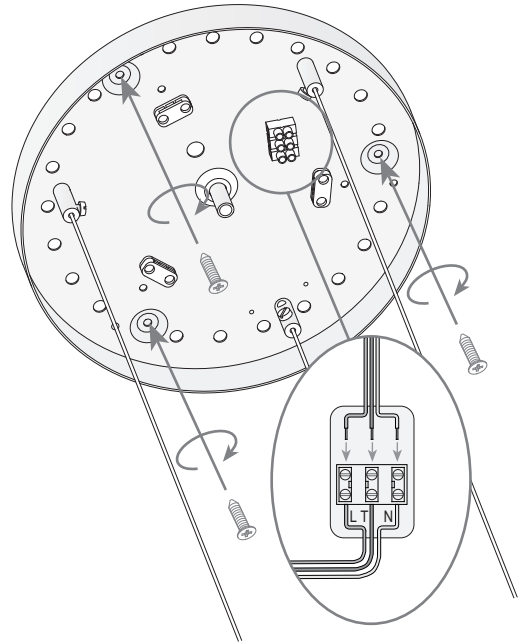
BLACK FABRIC CORD /  
MANGUERA DE TELA NEGRA



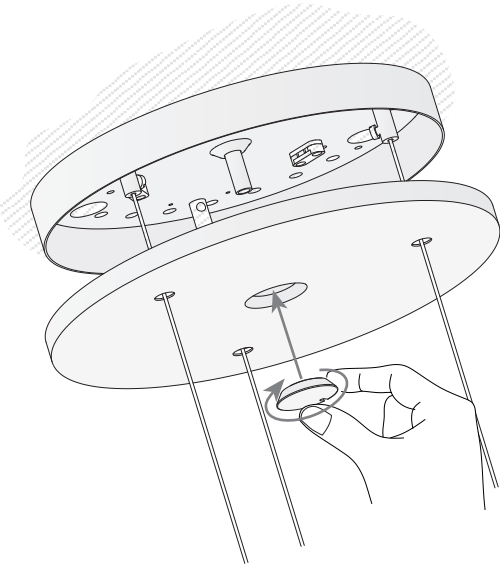
1



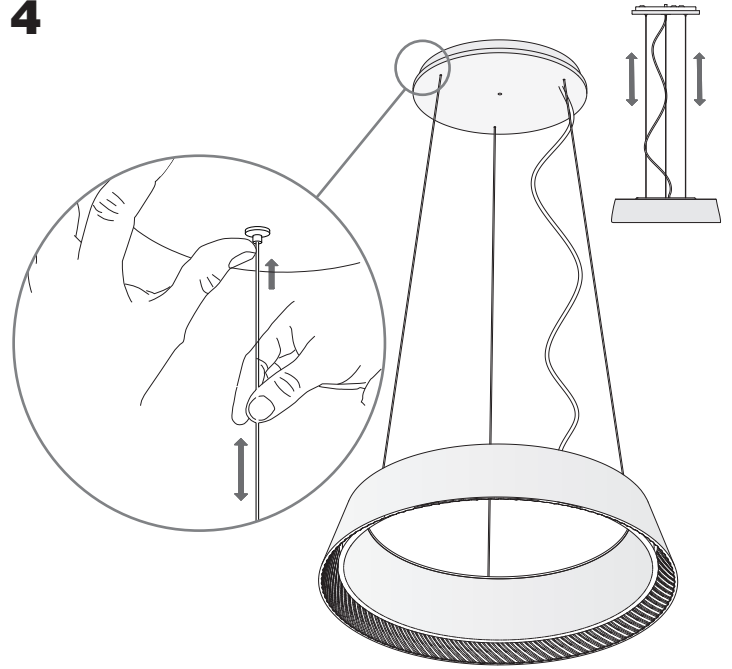
2



3



4



5

