

NANDO wall lamp

Dario De Meo and Luca De Bona design

year 2020

TECHNICAL SHEET - AP109 50 V11

STRUCTURE "A"

material metal
colour gold

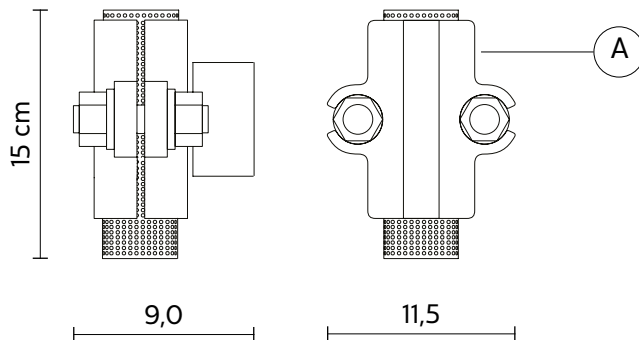


ELECTRICAL CABLE

source LED 170mA
5,5W, 600 lumen
3000/2700K CRI ≥ 85
classe A+

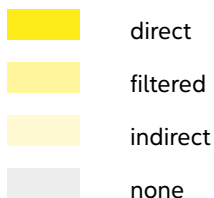
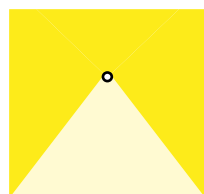
PACKAGING

nr.of collis 1
net weight/kg 1,2
gross weight/kg 1,5
packaging/cm 21x21x20



EMISSION OF LIGHT

one directional



COMPLIANT WITH

IEC 60598-1:2014

COLLECTION

available also as: suspension

DRY LOCATION

LED power supply equipped
equipped



AP1093G V11



AP1093B V11