

AMARCORD wall lamp

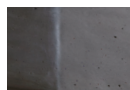
Matteo Ugolini design

year 2018

DATA SHEET - AP121 GT INT

BASE "A"

material
colour concrete
dove grey



DIFFUSER "B"

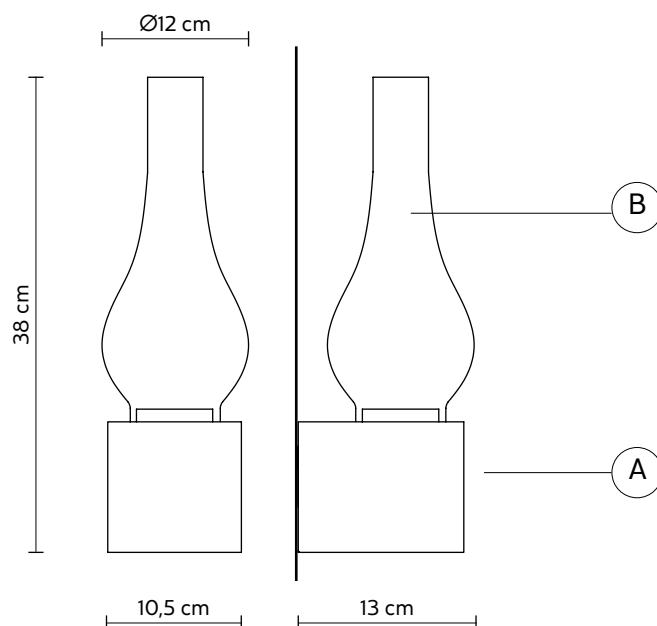
material
colour glass
transparent

ELECTRICAL SYSTEM

socket E27
source 1 x max 52W
energy class from E to A++

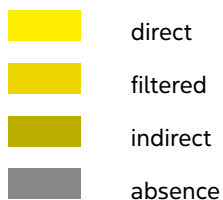
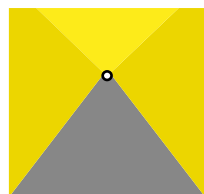
PACKAGING

n° cartons 2
net weight/kg 2,2 (A+B)
gross weight/kg 2,8 (A+B)
packaging/cm 21x21x20 (A) - 24x24x39 (B)



LIGHT EMISSION

unidirectional



COMPLIANT WITH

IEC 60598-1:2014
EN 60598-1:2015



degree of protection IP20
bulb optional



article **700P***
tungsten filaments
E27 - 25/40W ≤60lumen
class E

***these items are special,
decorative bulbs not for
illumination purposes**



COLLECTION

also available table lamp version

