

Laser Pinhole

Last information update: May 2018



fixed recessed WW

Product code
P714

Technical description

Square fixed luminaire designed for housing 2700K Warm White COB LED light sources with high colour rendering, featuring OPTIBEAM LENS technology suitable for narrow and well-defined light cones. Rim made of white-coated die-cast aluminium incorporating a black-coated thermoplastic component for guaranteeing maximum visual comfort and preventing stray light dispersion. Spot optic. Passive cooling system, by means of a black-coated heat sink made of extruded aluminium. The power supply unit is available with a separate code.

Installation

Recessed installation in false ceilings with 1 mm to 20 mm thickness with steel springs.

Dimension (mm)
85x99

Colour
White (01)

Mounting
ceiling surface

Wiring

Constant-current ballasts available with separate code: ON-OFF / 1-10 V dimmable / phase-cut dimmer / the recessed luminaire is supplied with the cable and connector to be connected to the connector provided on the driver.

Complies with EN60598-1 and pertinent regulations



Product configuration: P714

Product characteristics

Total lighting output [Lm]: 299
Total power [W]: 6.1
Luminous efficacy [Lm/W]: 49
Life Time: 50,000h - L80 - B10 (Ta 25°C)

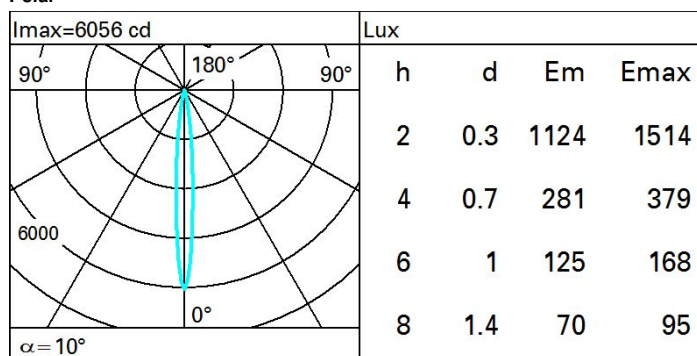
Total luminous flux at or above an angle of 90° [Lm]: 0
Emergency luminous flux [Lm]: /
Voltage [V]: -
Number of optical assemblies: 1

Optical assembly Characteristics Type 1

Light Output Ratio (L.O.R.) [%]: 65
Lamp code: LED
ZVEI Code: LED
Nominal power [W]: 6.1
Nominal luminous [Lm]: 460
Lamp maximum intensity [cd]: /
Beam angle [°]: 10°

Number of lamps for optical assembly: 1
Socket: /
Ballast losses [W]: 0
Colour temperature [K]: 2700
CRI: 90
Wavelength [Nm]: /
MacAdam Step: 3

Polar



Utilisation factors

R	77	75	73	71	55	53	33	00	DRR
K0.8	59	56	53	52	55	53	53	51	78
1.0	61	59	57	55	58	56	56	54	83
1.5	64	62	61	59	61	60	59	57	88
2.0	66	65	64	63	64	63	62	60	93
2.5	67	66	65	65	65	65	64	62	96
3.0	68	68	67	66	66	66	65	63	98
4.0	69	68	68	68	67	67	66	65	99
5.0	69	69	69	69	68	68	67	65	100

Luminance curve limit

