

Last information update: May 2018

**flexible strip - 5m - 12V LED RGB****Product code**

M253

**Technical description**

Product for linear lighting - with RGB LEDs - made on a white flexible circuit coated with a layer of silicone; the silicone protection guarantees IP65 protection for the uncut strip. The ends of the circuits are fitted with connectors with IP20 protection, therefore we recommend that the strips be used indoors. Supplied in 5-metre long coils wound on suitable supports; the pack includes a connections kit for in line or power supply connections. The back of the circuit is coated with adhesive for rapid application; mounting accessories are available for less simple installations. The strip can be cut at a centre-to-centre distance of 100 mm (minimum 3 LEDs); if intermediate cuts are made, ensure that the cut ends are carefully sealed. LED features: RGB full colour - 30 LEDs/m - flare angle 100° - 40W total - power supply 12V - maximum 2 coils can be connected in line with suitable accessory sequencers.

**Installation**

rapid installation with adhesive; clips are available for added fixing guarantees (code MWG2: 10 pieces) and rigid aluminium supports (code MWG1: 5 pieces x 1m)

**Dimension (mm)**

5000x10x3

**Colour**

Indeterminate (00)

**Weight (Kg)**

0.21

**Mounting**

wall surface

**Wiring**

Ballasts and sequencers to be ordered separately. Sequencers: PWM master model with radio control (code MWF9 for max. 2 RGB strips in line); PWM model without radio control (code MWG0 for max. 2 RGB strips in line). Using MWF9 - master - it is possible to join 2 strips for each MWG0 - slave - in a continuous sequence; in this case it is important to calculate the total power of the installation (for the power supply), considering that by using the sequencers the power of each strip is reduced to 1/3 (~15W)

**Notes**

The connectors grant an IP20 protection, for this reason it is advised the use of strips in internal installations. in case of cuts to the strips it is necessary to restore the sealing with accuracy after having done the connection weldings.

Complies with EN60598-1 and pertinent regulations



IP20

**Product configuration: M253+LENGTH1**

LENGTH1: Length 1 (m) - 1 (m)

**Product characteristics**

Total lighting output [Lm]: 115

Total power [W]: 3.1

Luminous efficacy [Lm/W]: 37.1

Life Time: 40,000h - L70 (Ta 25°C)

Total luminous flux at or above an angle of 90° [Lm]: 2.5

Emergency luminous flux [Lm]: /

Voltage [V]: 12

Number of optical assemblies: 1

**Optical assembly Characteristics Type 1**

Light Output Ratio (L.O.R.) [%]: 100

Lamp code: LED

ZVEI Code: LED

Nominal power [W]: 3.1

Nominal luminous [Lm]: 115

Lamp maximum intensity [cd]: /

Beam angle [°]: /

Number of lamps for optical assembly: 1

Socket: /

Ballast losses [W]: 0

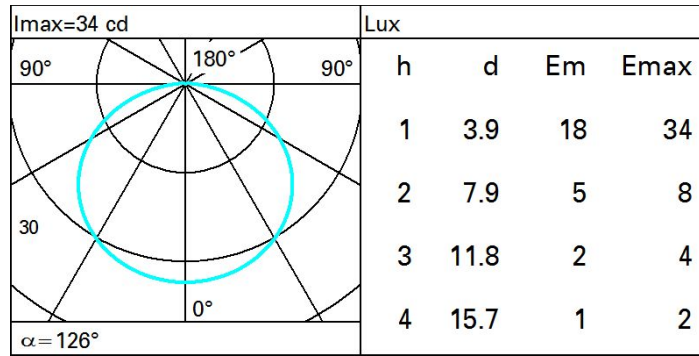
Colour temperature [K]: /

CRI: /

Wavelength [Nm]: /

MacAdam Step: /

**Polar**



**Isolux**

