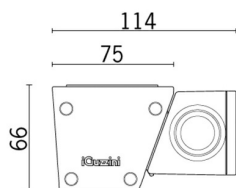


Last information update: May 2018

**Compact - Wall-/Ceiling-mounted - RGB LEDs - DMX512-RDM control - L=998mm - Wall Grazing Optic Spot****Product code**

BP15

Technical description

Direct light luminaire, designed to use RGB LED lamps (Red, Green, Blue) and DMX512-RDM control with searching and addressing function. Ceiling, wall or support-mounted. Consists of a body and supports for installation, to be ordered separately. Extruded aluminium body, with die-cast aluminium end caps complete with silicone seals. Coated with liquid acrylic paint with a high level of weather and UV ray resistance. Lateral control gear box made of PPS (polyphenylene sulfide). The top of the optical assembly is closed by a 3 mm thick transparent glass screen, fixed with silicone. Complete with multi-LED plate with individual LEDs in Red, Green and Blue (RGB). Fitted with optics with plastic (methacrylate) lens for Wall Grazing Spot lighting. The lateral box is supplied with a double connector, male/female, with 5-pin quick coupling for pass-through wiring and a closing cap on one side. All external screws used are made of A2 stainless steel. The luminaire technical characteristics conform to EN 60598-1 standards and particular requirements.

Installation

The following accessories are available for the installation: adjustable aluminium arms $\pm 90^\circ$ L=138mm (code 5576), extendable aluminium arms from 309 to 389mm and adjustable $\pm 90^\circ$ (code 5577), stainless steel adjustable arms $\pm 90^\circ$ L=138 (code BZX2) stainless steel adjustable arms L=310mm (code BZX3), wall mounting bracket L=310mm (code BZ10) balustrade mounting brackets L=297mm (code 5578), support or ceiling installation bracket L=309mm (code 5570).

Dimension (mm)

998x75x66

Colour

Grey (15)

Weight (Kg)

3

Mounting

wall surface|ceiling surface

Wiring

The product is supplied with electronic control gear, with DMX512-RDM control 220-240Vac, 50/60Hz contained in the luminaire. The following are available for the electrical connection and DMX-RDM control: 5 pole IP66 female connector (BZ15), 5 pole IP66 male connector + closing cap (BZ16), male connector + 5 pole IP66 female connector (BZ17), multipole cable groups with 5 pole male + female connectors (BZT4-BZT5-BZT6), connectors cap (BZQ7), 5 pole 3 way IP68 linear connector (Y type) (BZN7). DMX specifications require the insertion of a 120 Ohm terminating resistor to be placed between the DATA+ and DATA- cables of the last product in the line (code BZQ7)

Notes

Product complete with LED lamp. DMX specifications require the insertion of a 120 Ohm terminating resistor to be placed between the DATA+ and DATA- cables of the last product in the line (code BZQ7)

Complies with EN60598-1 and pertinent regulations

**Product configuration: BP15****Product characteristics**

Total lighting output [Lm]: 1301
 Total power [W]: 32.4
 Luminous efficacy [Lm/W]: 40.1
 Life Time: 50,000h - L80 - B10 (Ta 25°C)
 Ambient temperature range: from -20°C to +35°C.

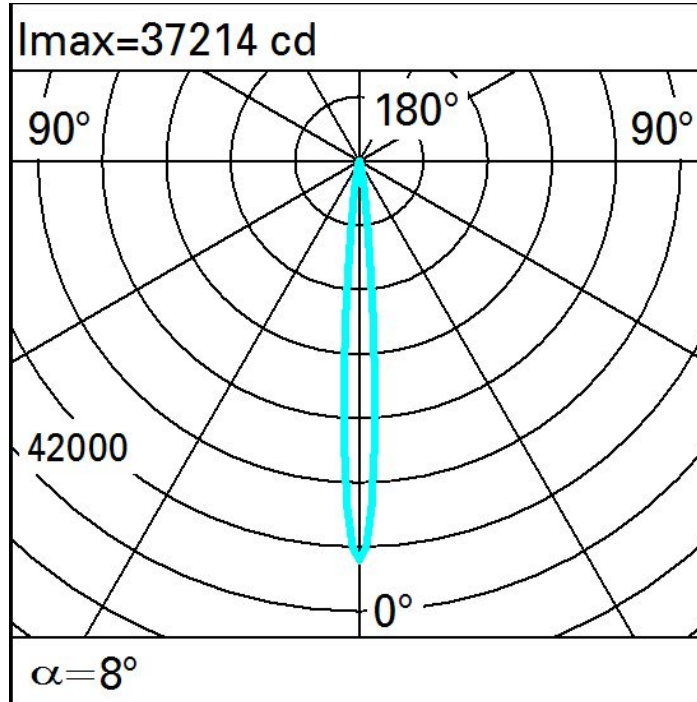
Total luminous flux at or above an angle of 90° [Lm]: 0
 Emergency luminous flux [Lm]: /
 Voltage [V]: -
 Life Time: 50,000h - L80 - B20 (Ta 40°C)
 Number of optical assemblies: 1

Optical assembly Characteristics Type 1

Light Output Ratio (L.O.R.) [%]: 85
 Lamp code: LED
 ZVEI Code: LED
 Nominal power [W]: 27
 Nominal luminous [Lm]: 1530
 Lamp maximum intensity [cd]: /
 Beam angle [°]: 8°

Number of lamps for optical assembly: 1
 Socket: /
 Ballast losses [W]: 5.4
 Colour temperature [K]: /
 CRI: /
 Wavelength [Nm]: /
 MacAdam Step: /

Polar



Illuminances

