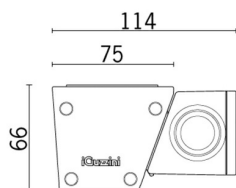


Last information update: May 2018

**Compact - Wall-/Ceiling-mounted - Neutral White LED - Dimmable DMX512-RDM - L=1585mm - Wall Washer Optic****Product code**

BI67

**Technical description**

Direct light luminaire, designed to use monochrome LED lamps, DMX512-RDM dimmable with searching and addressing function. Ceiling- and wall-mounted. Consists of a body and supports for installation, to be ordered separately. Extruded aluminium body, with die-cast aluminium end caps complete with silicone seals. Coated with liquid acrylic paint with a high level of weather and UV ray resistance. Lateral control gear box made of PPS (polyphenylene sulfide). The top of the optical assembly is closed by a 3 mm thick transparent glass screen, fixed with silicone. Complete with multi-LED plate in Neutral White. Fitted with optics with plastic (methacrylate) lens for Wall Washer lighting. The lateral box is supplied with a double connector, male/female, with 5-pin quick coupling for pass-through wiring and a closing cap on one side. All external screws used are made of A2 stainless steel. The luminaire technical characteristics conform to EN 60598-1 standards and particular requirements.

**Installation**

Accessories available for installation:  $\pm 90^\circ$  adjustable arms L=138mm (code 5576), arms extendable from 309 to 389mm and adjustable  $\pm 90^\circ$  (code 5577), bracket for wall-mounting L=670mm (code BZ11), brackets for mounting on balustrades L297mm (code 5578), bracket for surface- or ceiling-mounting L=644mm (code 5571).

**Dimension (mm)**

1585x75x66

**Colour**

Grey (15)

**Weight (Kg)**

4.49

**Mounting**

wall surface|ceiling surface

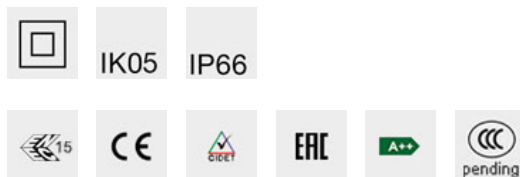
**Wiring**

The product is supplied with electronic control gear, dimmable DMX512-RDM 220÷240Vac, 50/60Hz contained in the luminaire. Available for electrical connection and DMX-RDM control: IP66 5-pin female connector (BZ15), IP66 5-pin male connector + closing cap (BZ16), IP66 5-pin male connector + female connector (BZ17), multi-pole cable units with 5-pin male + female connectors (BZJ3-BZJ4-BZJ5). DMX specifications require the insertion of a 120 Ohm terminating resistor to be placed between the DATA+ and DATA- cables of the last product in the line (code BZQ7)

**Notes**

Product complete with LED lamp. DMX specifications require the insertion of a 120 Ohm terminating resistor to be placed between the DATA+ and DATA- cables of the last product in the line (code BZQ7)

Complies with EN60598-1 and pertinent regulations

**Product configuration: BI67****Product characteristics**

Total lighting output [Lm]: 2855  
 Total power [W]: 47.3  
 Luminous efficacy [Lm/W]: 60.4  
 Life Time: 100,000h - L80 - B10 (Ta 25°C)  
 Ambient temperature range: from -20°C to +35°C.

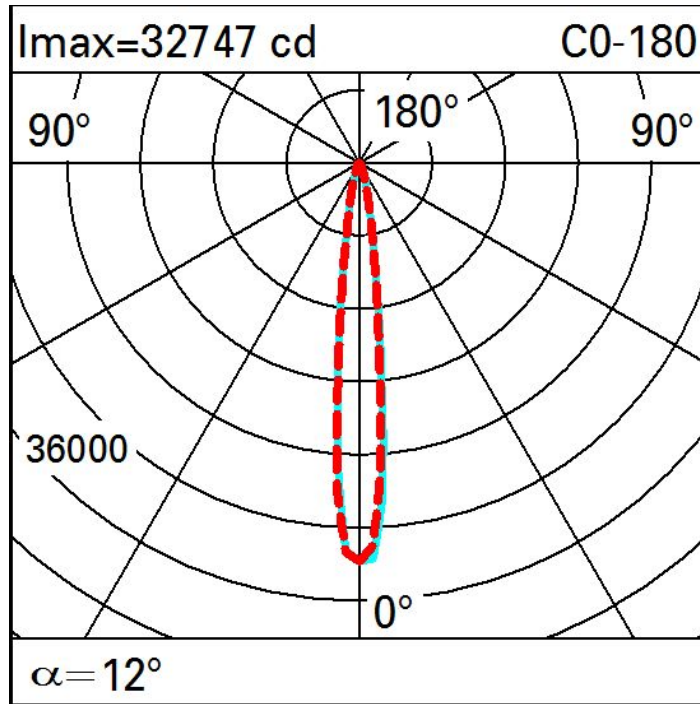
Total luminous flux at or above an angle of 90° [Lm]: 0  
 Emergency luminous flux [Lm]: /  
 Voltage [V]: -  
 Life Time: 100,000h - L80 - B10 (Ta 40°C)  
 Number of optical assemblies: 1

**Optical assembly Characteristics Type 1**

Light Output Ratio (L.O.R.) [%]: 73  
 Lamp code: LED  
 ZVEI Code: LED  
 Nominal power [W]: 41  
 Nominal luminous [Lm]: 3910  
 Lamp maximum intensity [cd]: /  
 Beam angle [°]: /

Number of lamps for optical assembly: 1  
 Socket: /  
 Ballast losses [W]: 6.3  
 Colour temperature [K]: 4000  
 CRI: 80  
 Wavelength [Nm]: /  
 MacAdam Step: 3

Polar



Illuminances

Lux		Wall distance = 1m											
3													
		0.1	0.4	2	8	15	11	4	1	0.2	0.1		
2	0.3	0.8	2	6	14	33	20	9	4	1	0.6		
	0.6	1	3	8	43	51	28	13	5	2	1		
1	0.9	2	5	20	32	42	29	17	7	3	2		
	1.0	4	10	15	31	47	32	18	9	4	2		
0													
	m	-2	-1	0	1	2	3						