

TUBE CARRÉ

13-Dec.-2016

1.0 LED

LED 8W | 220-240VAC | 50-60Hz | COB 2-step | incl. PS | phase-cut dim

CE IP65 0.9m

3000K | >80CRI | 480lm

white texture
dark grey texture
black texture

712164W4

712164D4

712164B4

1.0 PAR16

PAR16 max.35W | GU10 | 100-240VAC | 50-60Hz

CE IP65 0.9m

white texture
dark grey texture
black texture

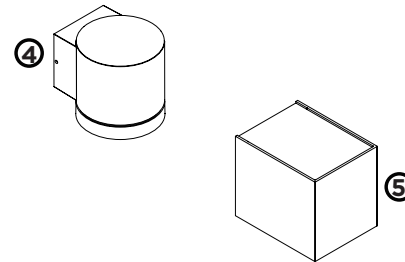
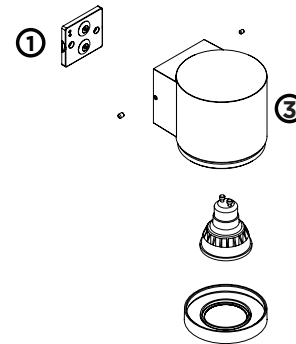
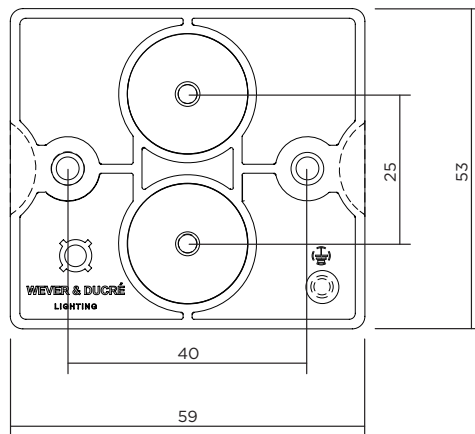
712120W0

712120D0

712120B0

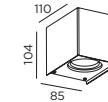
OPTIONAL

for PAR16 lamps see our catalogue



Slide the cover straight onto the device (not skewed) to prevent the springs from deforming

DIMENSIONS



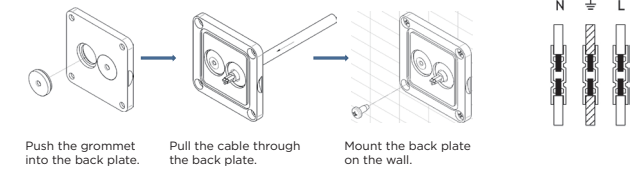
① MOUNTING INSTRUCTION

Remove the backplate and fixate it to the wall with screws.

② POWER CONNECTION

Exterior: WATERPROOF Connection

IP-rated connections for wall fixtures: cable isolation for round cables \varnothing 4.5-7.5 mm, should be in the grommet. For cable use \varnothing 7.0-9.5 mm: replace the grommet with the other grommet in the bag.



③ Fixate the fixture base to the back plate.

④ Remove the glass cover by turning it. Insert the lamp.

Turn the glass cover back on the fixture.

⑤ Click the TUBE CARRÉ cover over the fixture



WEVER & DUCRÉ
LIGHTING

www.weverducre.com

Wever & Ducre bvba Kwadestraat 153 bus 2.1 8800 Roeselare

INSTALLATION
INSTRUCTIONS