

SWAY

02-11-2015

1.0

LED 8W | 220-240VAC | 50-60Hz | COB 2-step | incl. PS | phase-cut dim
 CE \oplus IP54 \square 960° \square 0,3m \square 140°/140°

3000K | >80CRI | 480lm
 dark grey texture

720174D4

ALWAYS USE

base 300 910013D0
 base 400 910014D0
 base 800 910018D0
 base 1000 910010D0

OPTIONAL

concrete ground fixation 90013301

2.0

LED 2x8W | 220-240VAC | 50-60Hz | COB 2-step | incl. PS | phase-cut dim
 CE \oplus IP54 \square 960° \square 0,3m \square 140°/140°

3000K | >80CRI | 2x480lm
 dark grey texture

720274D4

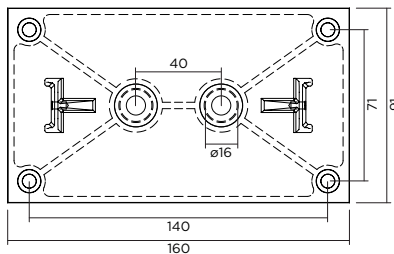
ALWAYS USE

base 300 910013D0
 base 400 910014D0
 base 800 910018D0
 base 1000 910010D0

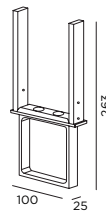
OPTIONAL

concrete ground fixation 90013301

base plate dimensions

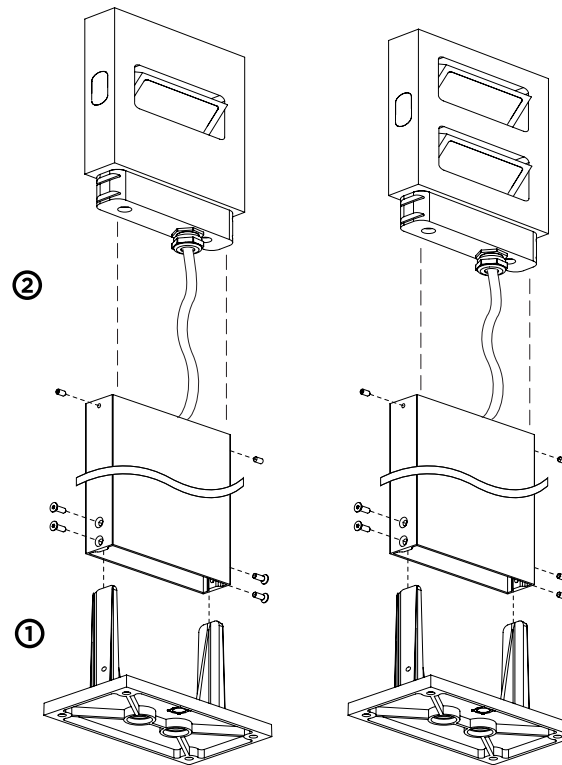


OPTIONAL, (ORDER SEPARATELY)
 concrete ground fixation



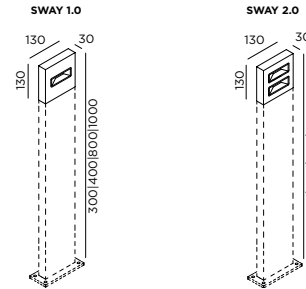
SWAY 1.0

SWAY 2.0



* DO NOT COVER BASE (moss, bark, ...).
 Permanent moisture & possible chemical processes from eg.
 fertilization might lead in some combinations to a corrosive reaction.

DIMENSIONS

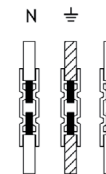


MOUNTING INSTRUCTION

- ① Remove the base plate
- ② Fixate the base plate to the ground with screws
 Do not cover the base plate.
- ③ Fixate the base fixture to the base plate

POWER CONNECTION

- ④ Connect the wires with the waterproof connections



- ⑤ Mount the SWAY on the base with the side screws



WEVER & DUCRÉ
 LIGHTING

www.weverducre.com

INSTALLATION
 INSTRUCTIONS