

STRIPE

04-08-2016

0.4

LED 1/2W | 350-700mA | 3Vf | PCB 3-step | excl. power supply

CE IP20 960°C $\downarrow 0,3\text{m}$ 16 1 1

3000K | >80CRI | 90-150lm

white texture
aluminium brushed
black texture

305151W4
305151L4
305151B4

ALWAYS USE

for power supplies see our catalogue

OPTIONAL, (ORDER SEPARATELY)

recessed housing plaster kit

90012037

0.7

LED 1/2W | 350-700mA | 3Vf | PCB 3-step | excl. power supply

CE IP20 960°C $\downarrow 0,3\text{m}$ 16 1 1

3000K | >80CRI | 90-150lm

white texture
aluminium brushed
black texture

305251W4
305251L4
305251B4

ALWAYS USE

for power supplies see our catalogue

OPTIONAL, (ORDER SEPARATELY)

recessed housing plaster kit

90012037

2.2

LED 1/2W | 350-700mA | 3Vf | PCB 3-step | excl. power supply

CE IP20 960°C $\downarrow 0,3\text{m}$ 16 1 1

3000K | >80CRI | 90-150lm

white texture
aluminium brushed
black texture

305351W4
305351L4
305351B4

ALWAYS USE

for power supplies see our catalogue

OPTIONAL, (ORDER SEPARATELY)

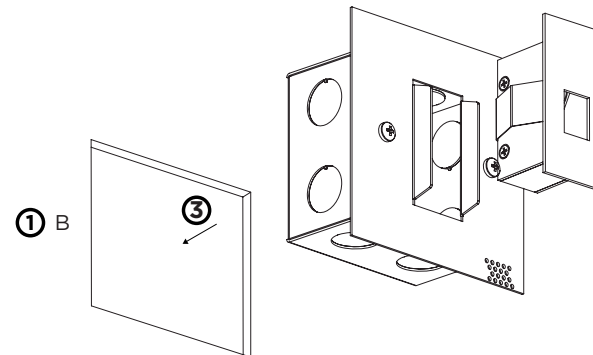
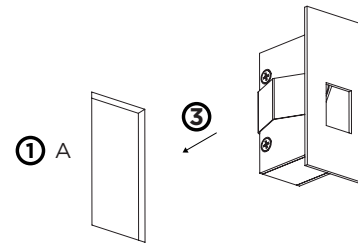
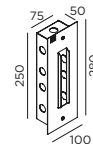
recessed housing plaster kit

90012038

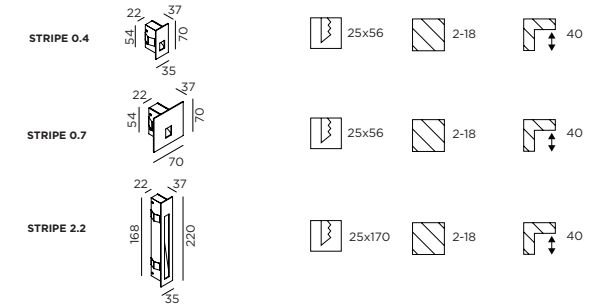
STRIPE 0.4 | 0.7
plaster kit | recessed housing



STRIPE 2.2
plaster kit | recessed housing



DIMENSIONS



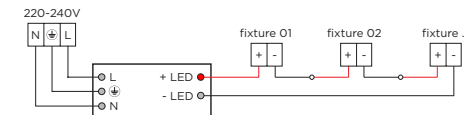
MOUNTING INSTRUCTION

- 1 Make a hole in the ceiling according to the prescribed dimensions.
A - Hollow wall
B - Plaster kit | recessed housing

POWER CONNECTION

- 2 SERIAL CONNECTION - for LED

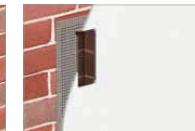
Always use POWER SUPPLY according to the specifications of the LED-module



- 3 A - Insert the fixture in the hollow wall.
B - Insert the fixture in plaster kit | recessed housing



Mount the aluminium perforated plaster kit (bended parts on the outside) into the hole



Minimum thickness of the plaster: 8mm



When the plaster has been dried out, connect the wires and insert the luminaire



WEVER & DUCRÉ
LIGHTING

www.weverducre.com

INSTALLATION
INSTRUCTIONS