

SMILE ON

25-Jul.-2017

1.0

LED 6W | 220-240VAC | 50-60Hz | COB 3-step | incl. power supply

CE \oplus \oplus 0.3m \oplus \oplus \oplus \oplus \oplus \oplus

3000K | >80CRI | 370lm | IP65

white texture

702253W4

dark grey texture

702253D4

3000K | >80CRI | 370lm | IP20

aluminium brushed (only for interior use)

702253L4

2.0

LED 6W | 220-240VAC | 50-60Hz | COB 3-step | incl. power supply

CE \oplus \oplus 0.3m \oplus \oplus \oplus \oplus \oplus \oplus

3000K | >80CRI | 370lm | IP65

white texture

703253W4

dark grey texture

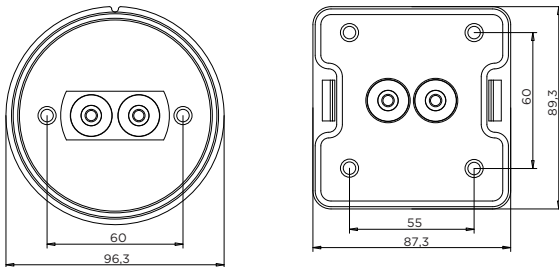
703253D4

3000K | >80CRI | 370lm | IP20

aluminium brushed (only for interior use)

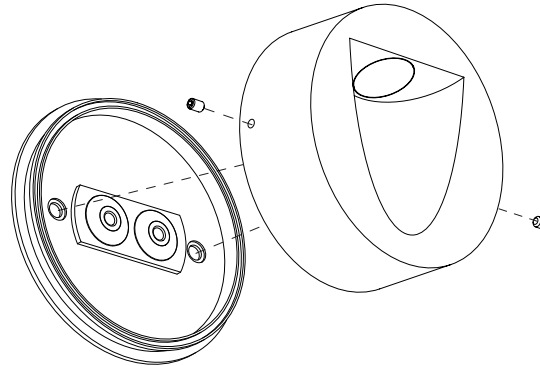
703253L4

back plate dimensions

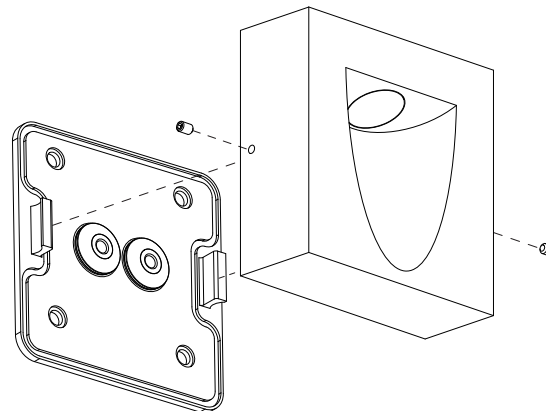


	A	B	C
use appropriate tool			
CABLE			
TYPE	ROUND H05RN-F H07RN8-F H07RN-F	ROUND H05RN-F	ROUND
OUTSIDE Ø	min 6.8mm max 8.9mm	min 5mm max 6.8mm	min 1.5mm max 2.6mm
CONDUCTION SECTION	2or3x 0.75mm ² 2or3x 1.0mm ² 2or3x 1.5mm ²	2or3x 0.75mm ² 2x 1.0mm ²	0.75mm ² 1.5mm ²

SMILE ON 1.0

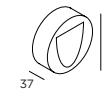


SMILE ON 2.0

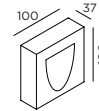


DIMENSIONS

SMILE ON 1.0



SMILE ON 2.0



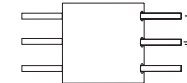
MOUNTING INSTRUCTION

- 1 Remove the back plate
- 2 Fixate the back plate to the wall with screws
For exterior put plastic gaskets on the screws

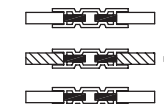
POWER CONNECTION

- 3 Use connector or cut wires to connect to power supply

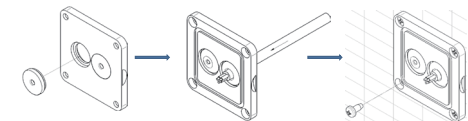
Interior: STANDARD version



Exterior: WATERPROOF Connection



IP-rated connections for wall fixtures: cable isolation for round cables \varnothing 4.5-7.5 mm, should be in the grommet. For cable use \varnothing 7.0-9.5 mm: replace the grommet with the other grommet in the bag.



Push the grommet into the back plate. Pull the cable through the back plate. Mount the back plate on the wall.

- 4 Fixate the fixture base to the base plate



WEVER & DUCRÉ
LIGHTING

www.weverducre.com

Wever & Ducre bvba Kwadestraat 153 bus 2.1 8800 Roeselare

**INSTALLATION
INSTRUCTIONS**