

SIRRA

08-12-2015

1.0 LED

LED 10W | 220-240VAC | 50-60Hz | COB 3-step | incl. PS | phase-cut dim

CE IP20 960°C 0,3m 36° 355° 35°/35°

white texture
white texture + black
aluminium brushed + black

134164W_
134164E_
134164F_

LIGHT COLOUR

2200K | >80CRI | 465lm 1
2700K | >90CRI | 590lm 3
3000K | >90CRI | 640lm 5

1.0 PAR16

PAR16 max. 35W | GU10 | 220-240VAC | 50-60Hz

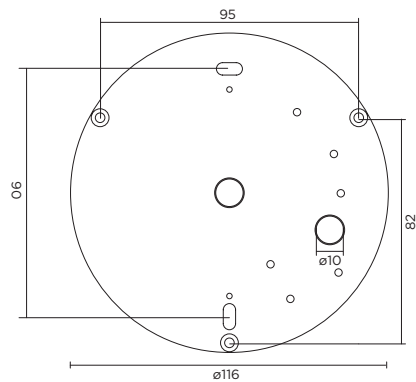
CE IP20 960°C 0,9m 355° 35°/35°

white texture 134120W0

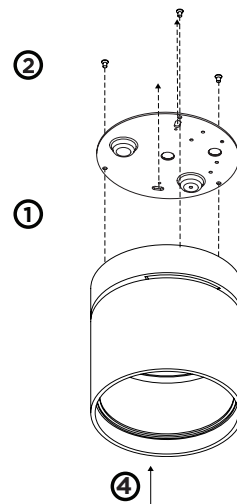
OPTIONAL

for PAR16 lamps see our catalogue

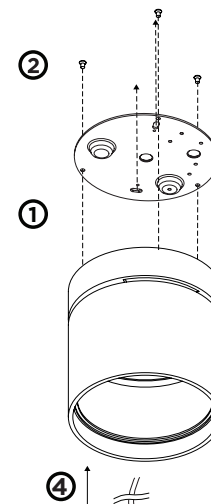
base plate dimensions



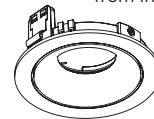
1.0 LED



1.0 PAR16



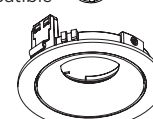
* wired spring version
from inset also compatible



5



6



5



6



DIMENSIONS

1.0 LED



1.0 PAR16

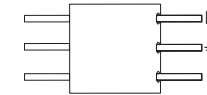


MOUNTING INSTRUCTION

- 1 Mount the base plate to the housing with screws
- 2 Attach the base plate + housing to the ceiling with screws

POWER CONNECTION

- 3 Interior: STANDARD version
driver for LED is included



- 4 Insert the outer part of the inset module into the SIRRA by turning the springs up
- 5 Insert the lamp into the inner part of the inset module and fix with spring
- 6 Click the inner part of the inset module into the outer part



WEVER & DUCRÉ
LIGHTING

www.weverducre.com

INSTALLATION
INSTRUCTIONS

PAGE 1/2

SIRRA

08-12-2015

1.0 LED

LED 10W | 220-240VAC | 50-60Hz | COB 3-step | incl. PS | phase-cut dim

CE IP20 960°C 0,3m 36° 355° 35°/35°

white texture	134264W_
white texture + black	134264E_
aluminium brushed + black	134264F_

LIGHT COLOUR

2200K >80CRI 465lm	1
2700K >90CRI 590lm	3
3000K >90CRI 640lm	5

1.0 PAR16

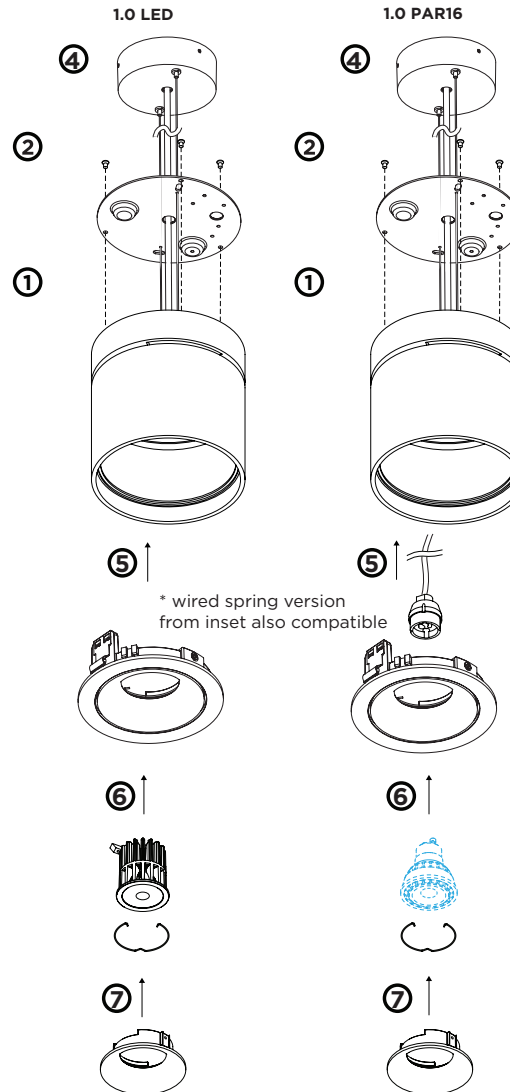
PAR16 max. 35W | GU10 | 220-240VAC | 50-60Hz

CE IP20 960°C 0,3m 36° 355° 35°/35°

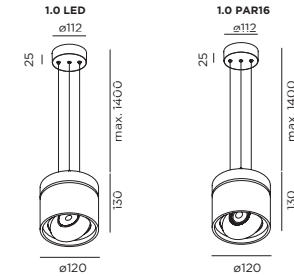
white texture	134220W0
white texture + black	134220E0

OPTIONAL

for PAR16 lamps see our catalogue



DIMENSIONS

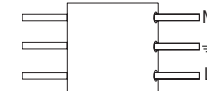


MOUNTING INSTRUCTION

- ① Mount the base plate to the housing with screws
- ② Attach the base plate + housing to the suspension base

POWER CONNECTION

- ③ Interior: STANDARD version
driver for LED is included



- ④ Mount the suspension base of the SIRRA to the ceiling with screws
- ⑤ Insert the outer part of the inset module into the SIRRA by turning the springs up
- ⑥ Insert the lamp into the inner part of the inset module and fix with spring
- ⑦ Click the inner part of the inset module into the outer part



WEVER & DUCRÉ
LIGHTING

www.weverducre.com

**INSTALLATION
INSTRUCTIONS**

PAGE 2/2