

# RAY

15-03-2016

## 1.0 LED

**LED** 4W | 220-240VAC | 50-60Hz | PCB 3-step | incl. PS | phase-cut dim

CE  $\oplus$  IP20  $\square$  960° C  $\downarrow$  0,3m  $\square$

white texture	322164W_
aluminium brushed	322164L_
gold	322164G_
bronze	322164Q_
copper	322164P_
black texture	322164B_

### LIGHT COLOUR

2200K   >80CRI   315lm	1
2700K   >80CRI   420lm	2
3000K   >80CRI   420lm	4

## 1.0 QT14

**QT14** max. 75W | G9 | 220-240VAC | 50-60Hz

CE  $\oplus$  IP20  $\square$  960° C  $\downarrow$  0,9m  $\square$

white texture	3221G0W0
aluminium brushed	3221G0L0
gold	3221G0G0
bronze	3221G0Q0
copper	3221G0P0
black texture	3221G0B0

### OPTIONAL

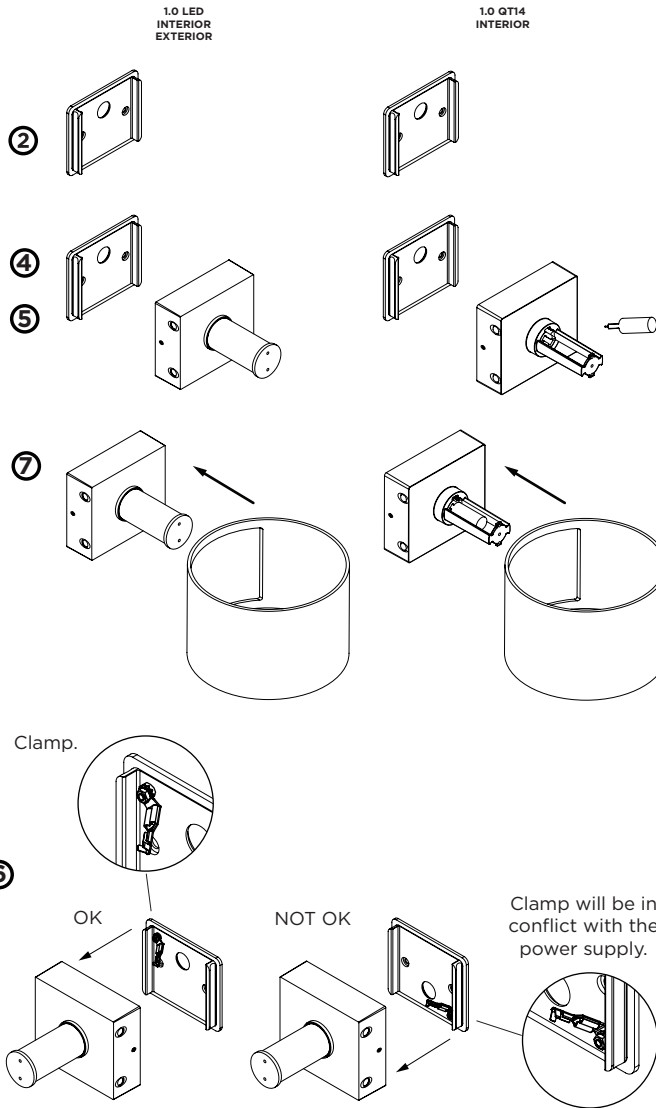
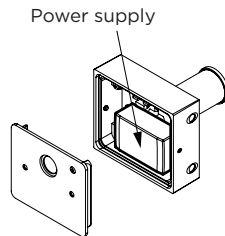
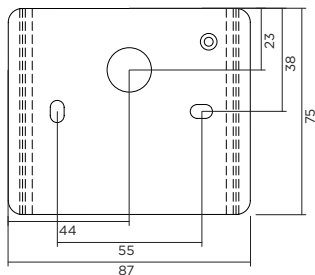
for QT14 lamps see our catalogue  
flaps for adjustable beam angle 900401W0

## 1.0

**LED** 4W | 220-240VAC | 50-60Hz | PCB 3-step | incl. PS | phase-cut dim

CE  $\oplus$  IP65  $\square$  960° C  $\downarrow$  0,3m  $\square$   $\odot$   $\square$

3000K   >80CRI   420lm	
white texture	715164W4
dark grey texture	715164D4
black texture	715164B4



## DIMENSIONS



### 1 MOUNTING INSTRUCTION

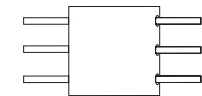
Remove the lamp base

### 2 Fixate the back plate to the wall with screws

### 3 POWER CONNECTION

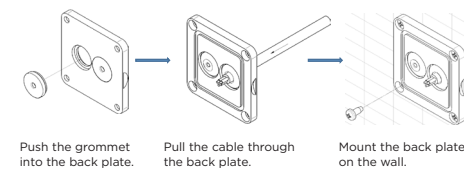
Connect the power supply.

Interior: STANDARD version



Exterior: WATERPROOF Connection

IP-rated connections for wall fixtures: cable isolation for round cables  $\varnothing$  4.5-7.5 mm, should be in the grommet. For cable use  $\varnothing$  7.0-9.5 mm: replace the grommet with the other grommet in the bag.



### 4 Fixate the lamp base to the back plate. Also see 6

### 5 For QT14: insert the lamp

### 6 Be aware if the power supply is positioned on the bottom, the clamp has to be positioned at the top of the base plate. (the opposite way of the PS). This has to be done to avoid both parts touches each other and doesn't close properly.

### 7 Fixate the lamp cover to the back base.



WEVER & DUCRÉ  
LIGHTING

www.weverducre.com

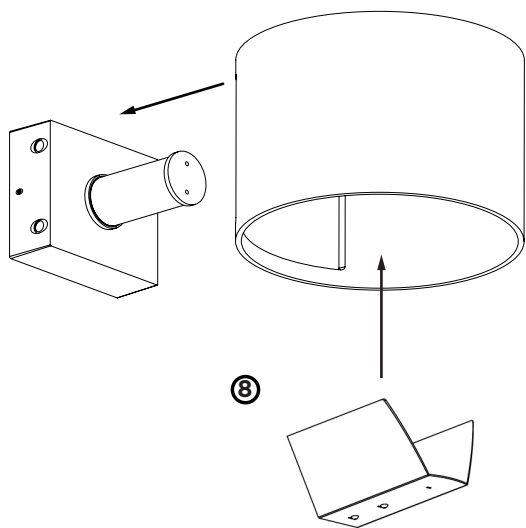
INSTALLATION  
INSTRUCTIONS

PAGE 1/2

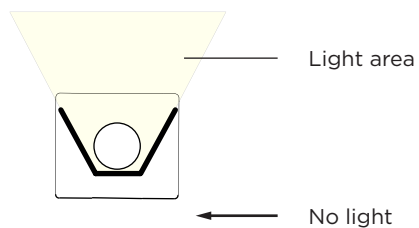
# RAY

15-03-2016

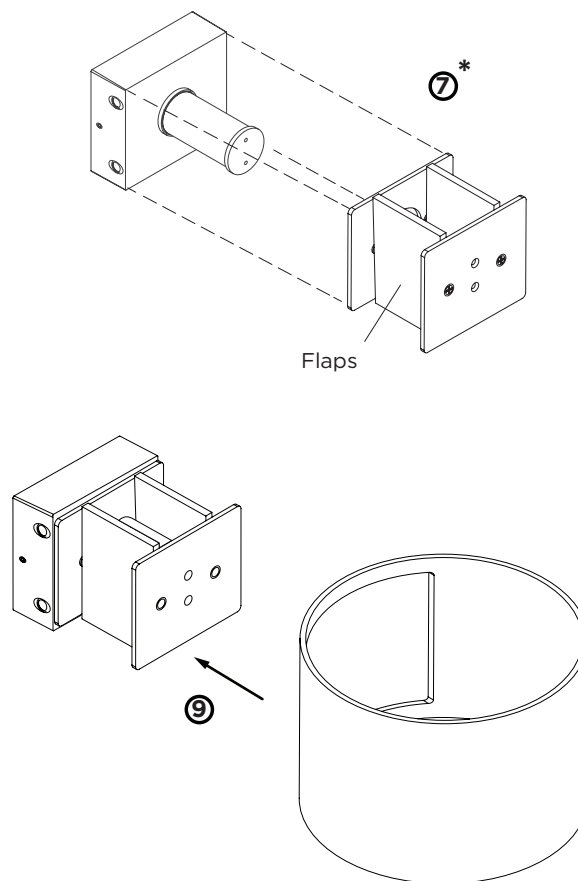
**INCLUDED (only for 1.0 LED interior & exterior):**  
Light Leakage Cover



The Light Leakage Cover ensures that restlight escapes the fixture at the unintentional side of the fixture. The Cover blocks this light at one side and reflects the light to the good side.



**OPTIONAL (for all types):**  
BOX flaps for adjustable beam angle  
900401W0



⑧ Fixate the light leakage cover to the back base.

### OPTIONAL BOX FLAPS:

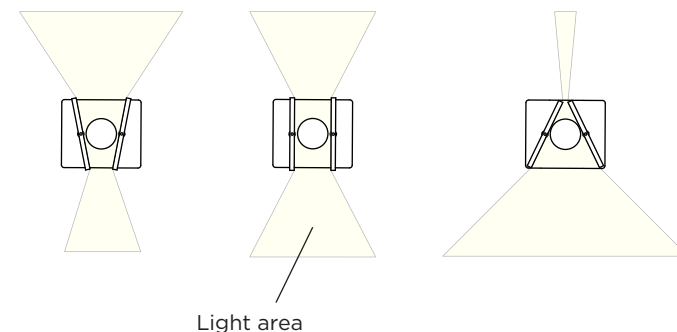
It's also possible to mount the BOX flaps instead of the Light leakage cover. In this way you can adjust the beam angle. Please keep in mind that the Light leakage cover cannot be combined with the BOX flaps.

⑦\* Before fixate the light cover to the back base, mount the BOX flap over the fixture base and fixate it with screws.

⑨ Fixate the lamp cover to the back base.

### EXPLANATION BOX FLAPS:

By rotating the arms of the BOX flaps separately, you can adjust the light beam angle. Below you can see some examples:



**WEVER & DUCRÉ**  
LIGHTING

[www.weverducre.com](http://www.weverducre.com)

**INSTALLATION  
INSTRUCTIONS**

PAGE 2/2